



# Lithium Coin Cell - CR 1632 H2B

- Reliable energy for your application
- Standard cells and customized packs
- ESD protection
- UL recognized
- Battery Certification Experts



RoHS compliant



Pb free



REACH compliant



Conflict mineral free

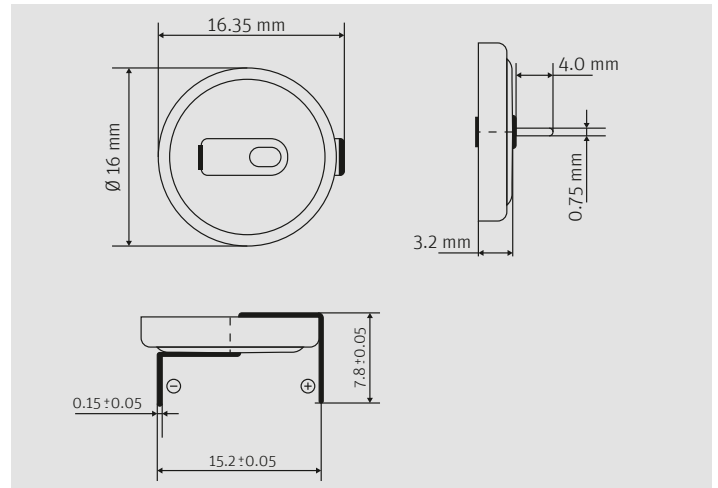
## Technical Data Sheet · CR 1632 H2B

### SPECIFICATIONS

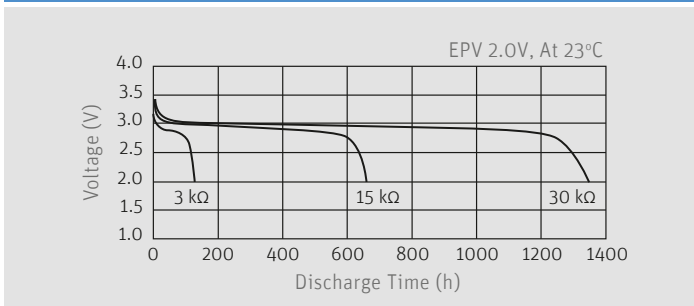
Nominal Voltage	3V
Jauch part number	247289
Nominal Capacity	135 mAh
Standard Load	30 kΩ
Standard Current	0.2 mA
Max. Continuous Current	1 mA
Max. Pulse Current	10 mA
Operating Temperature	-30°C to +70°C*
Weight	Approx. 2 gr.
Chemistry	Li/MnO <sub>2</sub>
UI1642	MH10136

\* In applications where the battery is exposed to temperatures >60°C, please contact Jauch.

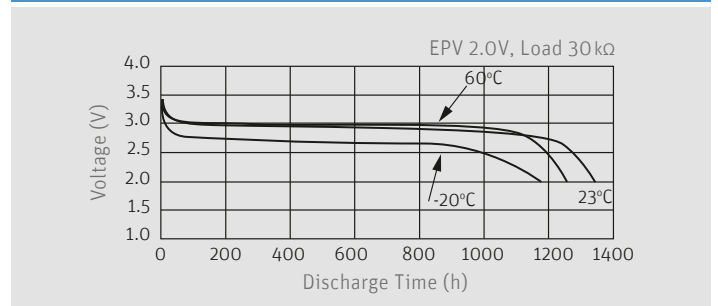
### DIMENSIONS



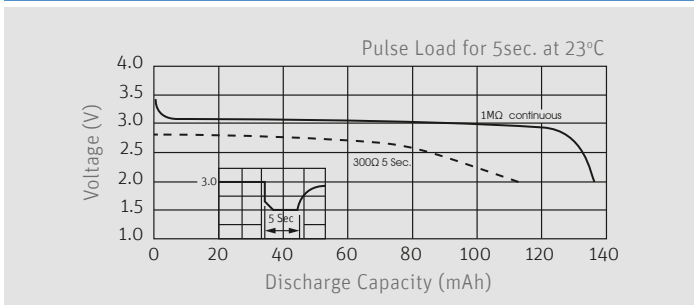
### DISCHARGE CHARACTERISTICS



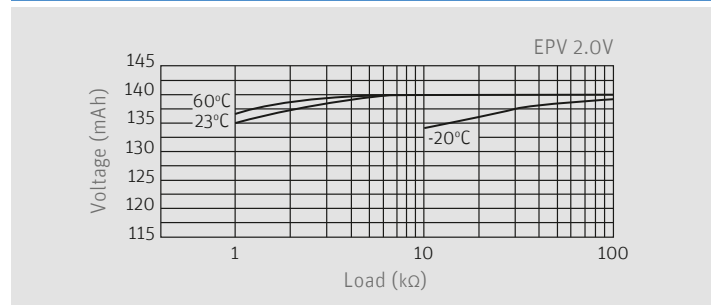
### TEMPERATURE CHARACTERISTICS



### PULSE DISCHARGE CHARACTERISTICS



### LOAD VS: CAPACITY



Wide assortment of mounting options, including through hole, surface mount and wire terminals.

Contact Jauch for more information  
[batterytechnology@jauch.com](mailto:batterytechnology@jauch.com)