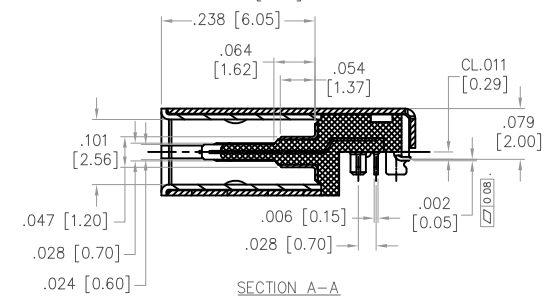
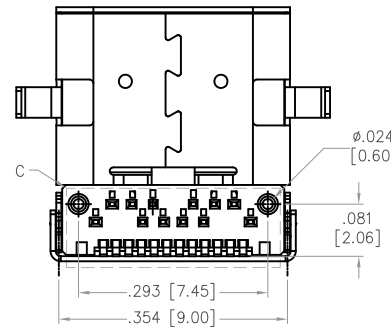
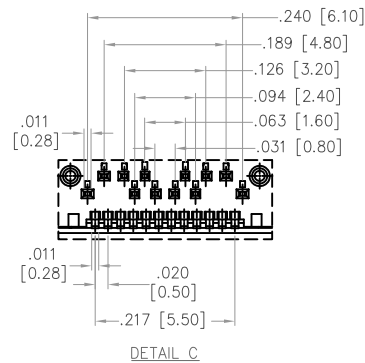
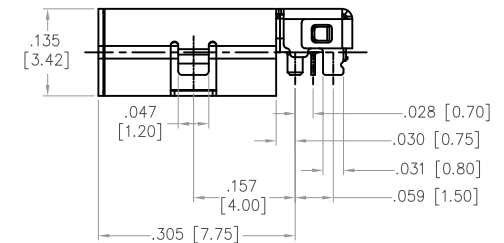
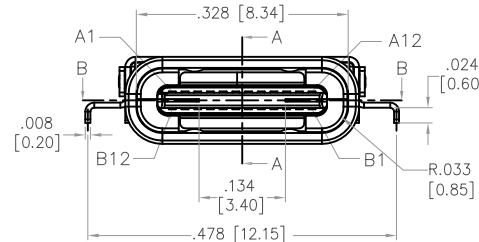
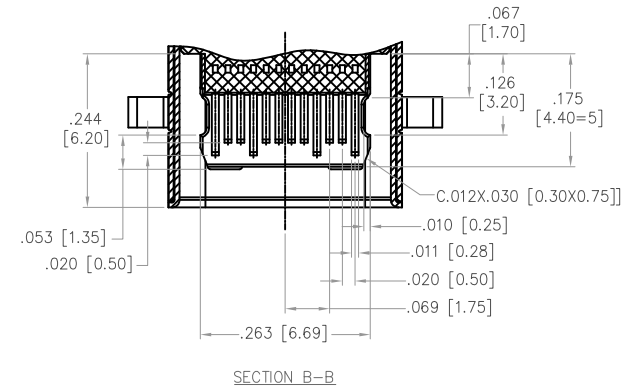
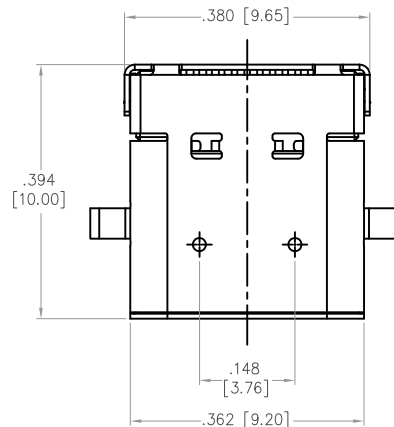


APPROVED: \_\_\_\_\_  
 DATE: \_\_\_\_\_ TITLE: \_\_\_\_\_

Rev	AWO #	Description	Date	Appr
-		RELEASED	12/12/14	

Pin	Signal Name	Mating Sequence	Pin	Signal Name	Mating Sequence
A1	GND	First	B12	GND	First
A2	SSTXp1	Second	B11	SSRXp1	Second
A3	SSTXn1	Second	B10	SSRXn1	Second
A4	V <sub>BUS</sub>	First	B9	V <sub>BUS</sub>	First
A5	CC1	Second	B8	SBU2	Second
A6	Dp1	Second	B7	Dn2	Second
A7	Dn1	Second	B6	Dp2	Second
A8	SBU1	Second	B5	CC2	Second
A9	V <sub>BUS</sub>	First	B4	V <sub>BUS</sub>	First
A10	SSRXn2	Second	B3	SSTXn2	Second
A11	SSRXn2	Second	B2	SSTXn2	Second
A12	GND	First	B1	GND	First
SHELL	GND		SHELL	GND	



**SPECIFICATIONS:**

**Material:**  
 Insulator: Hi-temp thermoplastic, Halogen Free, rated UL 94V-0  
 Insulator color: Black  
 Contacts: Copper Alloy  
 Shell: Stainless Steel  
 Plating:

Gold flash over Nickel underplate on contact area,  
 Tin over Copper underplate on solder tails.

**Electrical:**

Current rating: 5 A for V<sub>bus</sub> PIN max.  
 1.25 A for V<sub>conn</sub> PIN max.  
 Contact resistance: 40 mohms max. (initial)  
 50 mohms max. (after test) @ 20 mV, 100 mA

Insulation resistance: 100 Mohms min. @ DC 500V

Dielectric withstanding: 100 VAC for 1 minute

Temperature Rating:

Operating temperature: -40°C to +85°C

**Environmental:**

Lead free, RoHS compliant.



PACKAGED ON TAPE & REEL

UNLESS OTHERWISE SPECIFIED ALL DIMENSIONS ARE INCHES [MM] TOLERANCES: EXCEPT AS NOTED		<b>ADAM TECH</b> 909 Rahway Avenue, Union, NJ 07083 Phone: 908-687-5000 Fax: 908-687-5710	
INCHES HOLES			
.X ± .10	∅X ± .10	TITLE UNIVERSAL SERIAL BUS, TYPE C, FEMALE, RIGHT ANGLE, EDGE HANG, BLACK INSULATOR	
.XX ± .020	∅XX ± .015		
.XXX ± .015	∅XXX ± .010		
APPROVALS		DATE	
DRAWN	HR	12/12/14	
CHECKED	TW	12/12/14	
APPROVED			
SIZE X	PART NO. USB-C31-S-RA-EH2.0-BK-HF-T/R	REV. -	
REF: S00097C	SCALE: NTS	SHEET 1 OF 2	