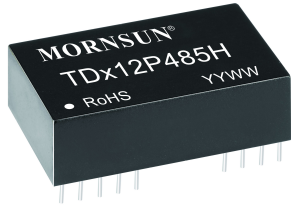


Dual high speed RS485 isolation transceiver  
(Isolation Power Output)



RoHS



FEATURES

- High baud rate up to 200Kbps
- The bus is able to support 32 nodes at maximum
- 2500VDC isolation voltage (input and output)
- Integrated high efficiency isolated DC/DC converter
- Operating temperature range: -40°C to +85°C
- ESD protection (IEC/EN61000-4-2 Contact ±4KV perf. Criteria B)

RS485 interface power Integrated isolated module TD312P485H/TD512P485H series are transceiver isolation module with integrated power isolation, electrical isolation, and RS485 interface bus protector. It has two way independent of RS485 network function. Products can be easily embedded in the user equipment, achieve function of RS485 network connection.

The isolation RS485 circuits of using a piece of power isolation module, six road light coupling and 2 RS485 transceivers and device is only need to adopt a RS485 isolation module now .Simplify the customers on the isolation requirements of the design.

Selection Guide

Part No.	Power Supply input (VDC)
TD312P485H	3.17 - 3.45
TD512P485H	4.75 - 5.25

Input Specifications

Item	Operating Conditions	Value
Power Supply	Static current	TD312P485H≤60mA , TD512P485H≤50mA
	Send current	TD312P485H≤121mA , TD512P485H≤80mA
Input Port	Serial interface	TD512P485H compatible with + 5 V UART interface TD312P485H compatible with + 3.3 V UART interface
	Pin current	I <sub>TXD</sub> ≤2mA; I <sub>RXD</sub> ≤2 mA; I <sub>CON</sub> ≤5mA

Bus Interface

Item	Operating Conditions	Value
Output Port	RS485 bus interface	Standard interface RS485 ,pull-up and pull-down resistor, whose value is 4.7K,have been set to A/B line.
	Isolation power output	20mA 5V±10%

Transmission Specifications

Item	Operating Conditions	Value
Data Rate		200Kbps (max.)
Transceiver Switching Delay		≤30us
The Number of Nodes		Connect up to 32 nodes on one bus
Transceiver control		Contrary to common RS485 transceiver control level
Truth Table	Sending Status	Control    Input    Output
		CON    TXD    A    B    Line state
		0    1    1    0    Normal
	0    0    0    1    Normal	
	Receiving Status	Control    Input    Output
		CON    A-B    RXD
1    ≥0.2V    1		
1    ≤-0.2V    0		

### General Specifications

Item	Operating Conditions	Value
Electric Isolation		Two- port isolation (input and output are mutually isolated)
Isolation Voltage	testing for 1 minute, leakage current <5mA, humidity <95%	2.5KVDC
Operating Temperature		-40°C to +85°C
Transportation and Storage Temperature		-50°C to +105°C
Operating Humidity		10%-90%
Casing Temperature Rise	Ta=25°C	25°C (Typ.)
Application Environment		The presence of dust, fierce vibration,impulsion and corrosive gas may cause damage to the product.

### Physical Specifications

Casing Material	WH8100-F
Package	DIP24
Dimensions	31.80*20.30*9.50 mm
Weight	11g(Typ.)
Cooling Method	Free air convection

### EMC Specifications

EMI	CE	CISPR22/EN55022	CLASS A (see 2-② for recommended circuit)
	RE	CISPR22/EN55022	CLASS A (see 2-② for recommended circuit)
EMS	ESD	IEC/EN61000-4-2	Contact ±4KV perf. Criteria B
	EFT	IEC/EN61000-4-4	Power supply port ±2KV (see 2-① for recommended circuit) perf. Criteria B
		IEC/EN61000-4-4	Signal port ±1KV (see 2-③ for recommended circuit) perf. Criteria B
	Surge	IEC/EN61000-4-5	Power supply port ±1KV (line to line) (see 2-① for recommended circuit) perf. Criteria B
			Signal port ±0.25KV (line to line)/ ±0.5KV (line to ground) (see 2-③ for recommended circuit) perf. Criteria B
			Signal port ±0.5KV (line to line)/ ±1KV (line to ground) (see 2-③ for recommended circuit) perf. Criteria B
			Signal port ±1KV (line to line)/ ±2KV (line to ground) (see 2-③ for recommended circuit) perf. Criteria B
			Signal port ±2KV (line to line)/ ±4KV (line to ground) (see 2-③ for recommended circuit) perf. Criteria B
		Signal port ±4KV (line to line)/ ±6KV (line to ground) (see 2-③ for recommended circuit) perf. Criteria B	

### Application Precautions

1. Please read the technical manual carefully before use; contact our technical support if you have any problem.
2. Do not use the product in hazardous areas.
3. Use DC power supply for the product and 220V AC power supply is prohibited.
4. Do not dismount and assemble the product without permission to avoid failure or malfunction of equipment.

#### After-sales service

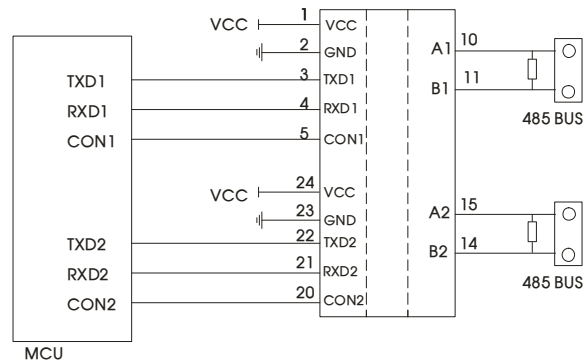
1. Ex-factory inspection and quality control have been strictly conducted for the product; if there occurs abnormal operation or possibility of failure of internal module, please contact the local representative or our technical support.
2. The warranty period for the product is 3 years as calculated from the date of delivery. If any quality problem occurs under normal use within the warranty period, the product can be repaired or changed for free.

#### Applied circuit

See *Application Notes for Isolated Transmitter* for details.

Design Reference

1. Typical application



Note: 1 pin and 24 pin are internal connected, 23 pin and 2 pin are internal connected.

2. Recommended EMC circuit

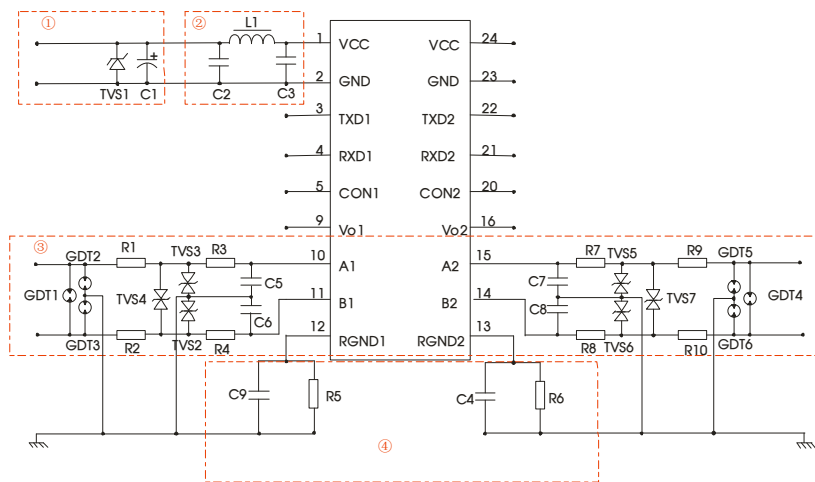


Fig. 2

Recommended external circuit parameters:

Model	TD312P485H / TD512P485H				
	±0.25KV/±0.5KV	±0.5KV/±1KV	±1KV/±2KV	±2KV/±4KV	±4KV/±6KV
C1	220uF/10V(Electrolytic capacitor)		220uF/10V(Electrolytic capacitor)		
TVS1	SMCJ5.0A (TD312P485H) / SMCJ6.5A(TD512P485H)				
C2/C3	1uF/50V		1uF/50V		
L1	10 μ H		10 μ H		
C5/C6/C7/C8	100pF/100V		100pF/100V		
C4/C9	1nF/2KV		1nF/2KV		
R5/R6	1M Ω		1M Ω		
TVS2/TVS3/TVS4	SMBJ15CA		SMBJ15CA		
TVS5/TVS6/TVS7	SMBJ15CA		SMBJ15CA		
R1/R2/R9/R10	--	--	10 Ω /2W(Wire-wound resistor)	10 Ω /2W(Wire-wound resistor)	10 Ω /2W(Wire-wound resistor)
R3/R4/R7/R8	10 Ω /1W(Wire-wound resistor)	10 Ω /2W(Wire-wound resistor)	--	--	--
GDT1/GDT2/GDT3	--	--	G30-A90X	S30-A90X	S50-A90X
GDT4/GDT5/GDT6	--	--	G30-A90X	S30-A90X	S50-A90X

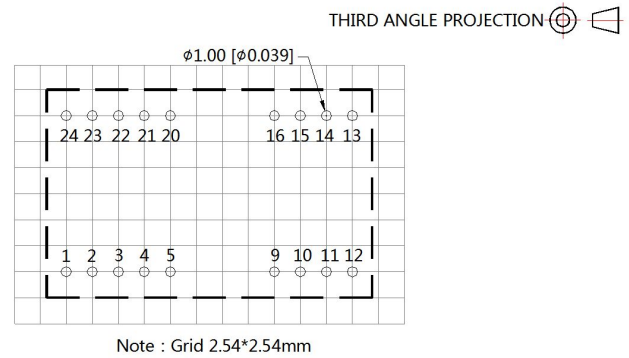
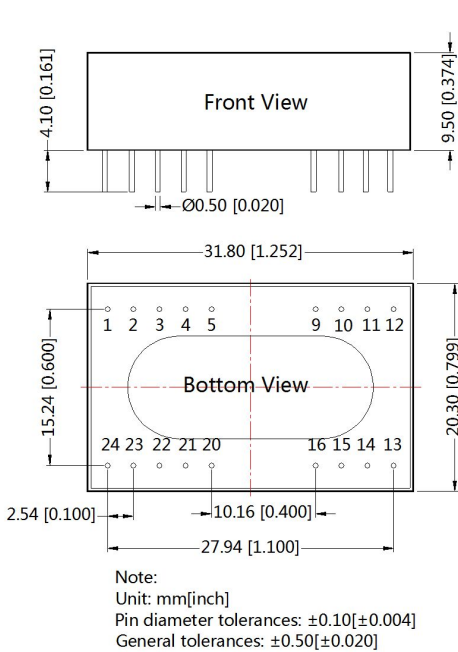
Notes:

① GDT1, GDT2 and GDT3 be used instead of a three terminal gas discharge tube, GDT4, GDT5 and GDT6 empathy. Such as GDT1, GDT2 and GDT3 three two-terminal device available gas discharge tube instead of a three-terminal at "± 4KV / ± 6KV" hierarchy, GDT4, GDT5 and GDT6 empathy, as B3D090L-C.

② It is not needed the component when parameter with the symbol of "--".

3. For more information please find the application notes on [www.mornsun-power.com](http://www.mornsun-power.com)

Dimensions and Recommended Layout



Pin-Out					
Pin	Designation	Function	Pin	Designation	Function
1,24	VCC	Input Power +	11	B1	Channel1 B Pin
2,23	GND	GND	12,13	RGND	Isolation Power Output RGND
3	TXD1	Channel1 TD_P485 Send Pin	14	B2	Channel 2 B Pin
4	RXD1	Channel1 TD_P485 Receiving Pin	15	A2	Channel 2 A Pin
5	CON1	Channel1 Send&Receiving Control Pin	20	CON2	Channel2 Send&Receiving Control Pin
9,16	Vo	Isolation Power Output +5V	21	RXD2	Channel2 TD_P485 Receiving Pin
10	A1	Channel 1 A Pin	22	TXD2	Channel2 TD_P485 Send Pin

Notes:

1. Packing Information please refer to 'Product Packing Information'. Packing bag number: 58210008;
2. Unless otherwise specified, data in this datasheet should be tested under the conditions of  $T_a=25^{\circ}\text{C}$ , humidity<75% when inputting nominal voltage and outputting rated load;
3. All index testing methods in this datasheet are based on our Company's corporate standards;
4. The performance indexes of the product models listed in this datasheet are as above, but some indexes of non-standard model products will exceed the above-mentioned requirements, and please directly contact our technician for specific information;
5. We can provide product customization service;
6. Specifications of this product are subject to changes without prior notice.

Mornsun Guangzhou Science & Technology Co., Ltd.

Address: No. 5, Kehui St. 1, Kehui Development Center, Science Ave., Guangzhou Science City, Luogang District, Guangzhou, P. R. China  
Tel: 86-20-38601850-8801 Fax: 86-20-38601272 E-mail: info@mornsun.cn