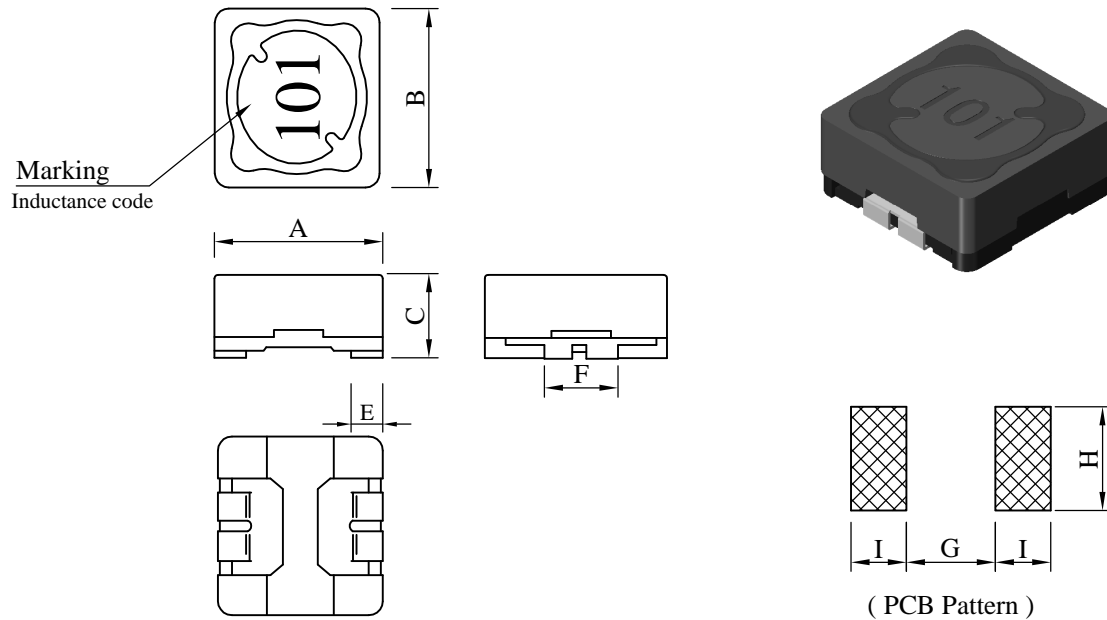


SPECIFICATION FOR APPROVAL

REF. :

PROD. NAME	Shielded SMD Power Inductor	ABC'S DWG NO.	SS1206□□□□T□-□□□		
		REV.	20160901-D	PAGE	1

I . Configuration and dimensions :



Unit : m/m

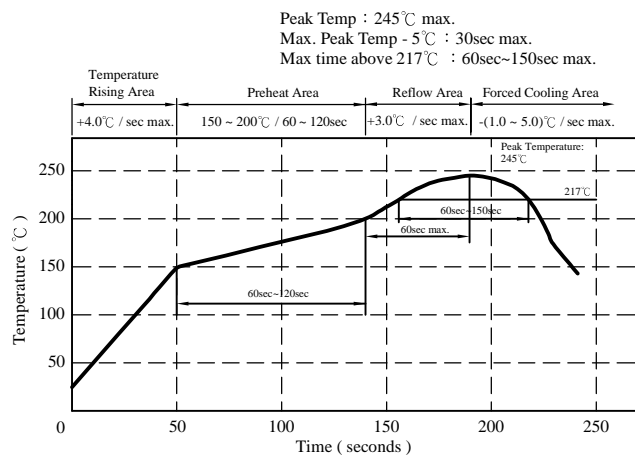
A	B	C	E	F	G	H	I
12.70 ±0.3	12.70 ±0.3	6.00 ±0.5	2.30 ±0.2	5.00 ±0.2	6.00 ref.	7.00 ref.	4.00 ref.

II . Description :

- a . Ferrite drum core construction.
- b . Magnetically shielded.
- c . Enamelled copper wire : H class
- d . Product weight : 3.40 g (ref.)
- e . Moisture sensitivity Level 1
- f . Products comply with RoHS' requirements
- g . Halogen free available

III . General specification :

- a . Storage temp. : -40°C ----+125°C
- b . Operating temp. : -40°C ----+125°C
(Temp. rise included)
- c . Resistance to solder heat : 245°C.10 secs.



AR-001C

SPECIFICATION FOR APPROVAL

REF. :

PROD. NAME	Shielded SMD Power Inductor	ABC'S DWG NO.	SS1206□□□□T□-□□□		
		REV.	20160901-D	PAGE	2

IV . Electrical characteristics :

DWG No.	Inductance (μH)	Test Freq. (Hz)	RDC (mΩ) max	IDC (A) max
SS12062R5MT□-□□□	2.5±20%	1k	16.0	6.20
SS12065R0MT□-□□□	5.0±20%	1k	22.0	4.70
SS12067R5MT□-□□□	7.5±20%	1k	25.0	3.80
SS1206100MT□-□□□	10.0±20%	1k	35.0	3.30
SS1206120MT□-□□□	12.0±20%	1k	38.0	3.00
SS1206150MT□-□□□	15.0±20%	1k	42.0	2.80
SS1206180MT□-□□□	18.0±20%	1k	50.0	2.50
SS1206220MT□-□□□	22.0±20%	1k	62.0	2.30
SS1206270MT□-□□□	27.0±20%	1k	68.0	2.00
SS1206330YT□-□□□	33.0±15%	1k	90.0	1.90
SS1206390YT□-□□□	39.0±15%	1k	100.0	1.75
SS1206470YT□-□□□	47.0±15%	1k	130.0	1.60
SS1206560YT□-□□□	56.0±15%	1k	155.0	1.45
SS1206680YT□-□□□	68.0±15%	1k	170.0	1.30
SS1206820YT□-□□□	82.0±15%	1k	185.0	1.20
SS1206101YT□-□□□	100.0±15%	1k	220.0	1.10
SS1206121YT□-□□□	120.0±15%	1k	260.0	1.00
SS1206151KT□-□□□	150.0±10%	1k	320.0	0.90
SS1206181KT□-□□□	180.0±10%	1k	380.0	0.80
SS1206221KT□-□□□	220.0±10%	1k	460.0	0.70
SS1206271KT□-□□□	270.0±10%	1k	520.0	0.65
SS1206331KT□-□□□	330.0±10%	1k	660.0	0.60
SS1206391KT□-□□□	390.0±10%	1k	870.0	0.55
SS1206471KT□-□□□	470.0±10%	1k	970.0	0.50
SS1206561KT□-□□□	560.0±10%	1k	1320.0	0.45
SS1206681KT□-□□□	680.0±10%	1k	1500.0	0.40
SS1206821KT□-□□□	820.0±10%	1k	1700.0	0.35
SS1206102KT□-□□□	1000.0±10%	1k	2300.0	0.30
SS1206122KT□-□□□	1200.0±10%	1k	2650.0	0.25
SS1206152KT□-□□□	1500.0±10%	1k	3500.0	0.20

1). □ : Packaging information : □ Code

2). "-□□□" : Reference code

3). Electrical specifications at 25°C

4). IDC base on Temp. rise 40°C max.

& ΔL/L0A=10% max.

AR-001C



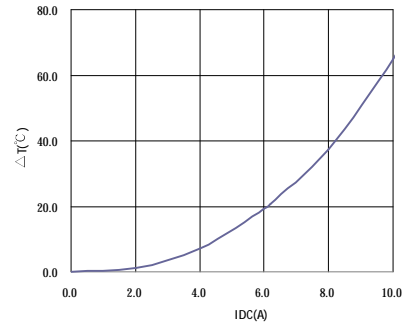
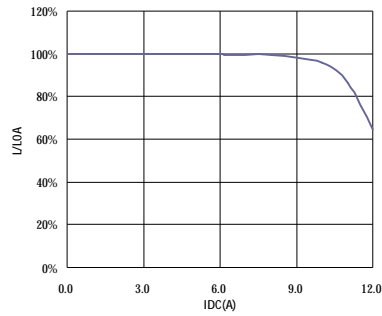
SPECIFICATION FOR APPROVAL

REF. :

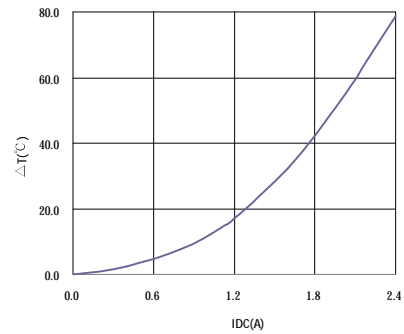
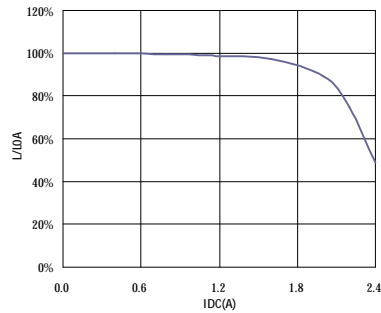
PROD. NAME	Shielded SMD Power Inductor	ABC'S DWG NO.	SS1206□□□□T□-□□□		
		REV.	20160901-D	PAGE	3

V . Curve :

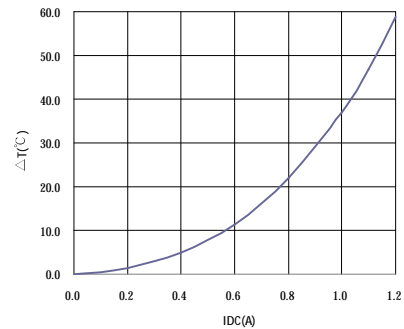
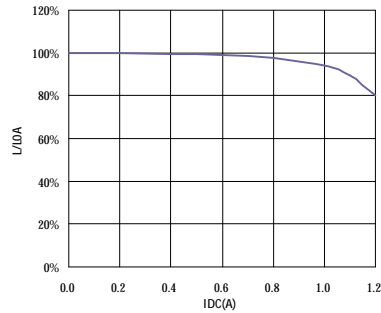
SS12062R5MT□



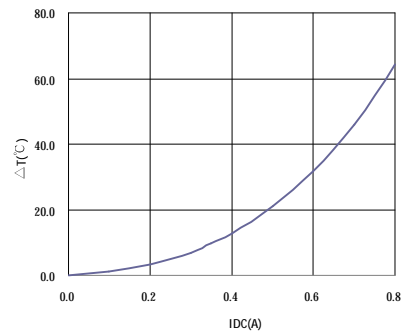
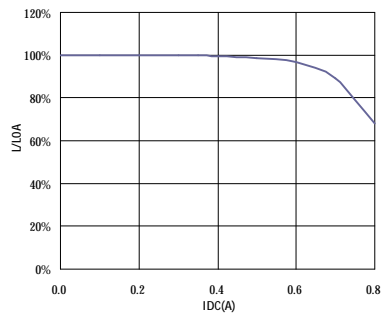
SS1206101YT□



SS1206331KT□



SS1206821KT□



AR-001C

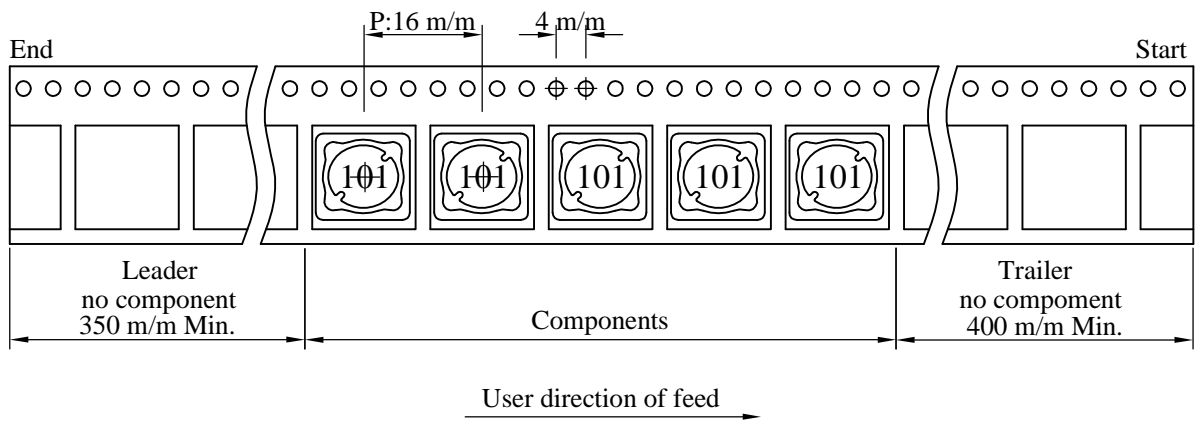
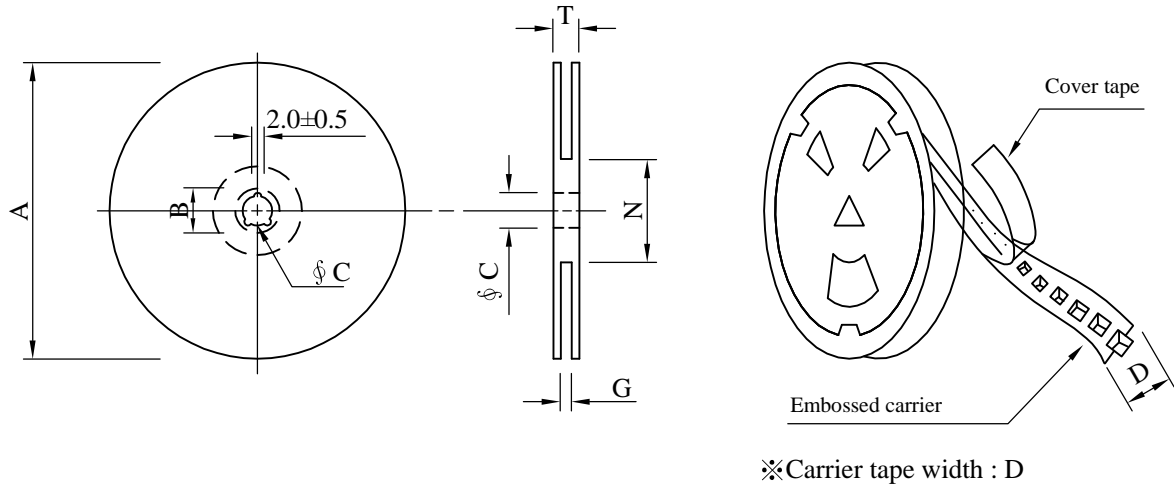
SPECIFICATION FOR APPROVAL

REF. :

PROD. NAME	Shielded SMD Power Inductor	ABC'S DWG NO.	SS1206□□□□T□-□□□		
		REV.	20160901-D	PAGE	4

VI . Packaging information :

(1) Configuration



(2) Dimensions

Unit:m/m

Style	A	B	C	D	G	N	T
13 - 24	330	21±0.8	13±0.5	24	26 ⁺⁰	60 ⁻⁰	30.4

(3) Q'TY & G.W. Per package

Code	Inner : Reel			Outer : Carton		
	Q'TY (pcs)	G.W. (gw)	Style	Q'TY (pcs)	G.W. (Kg)	Size (cm)
B	600	2200	13 - 24	2,400	11.0	38 x 37 x 22

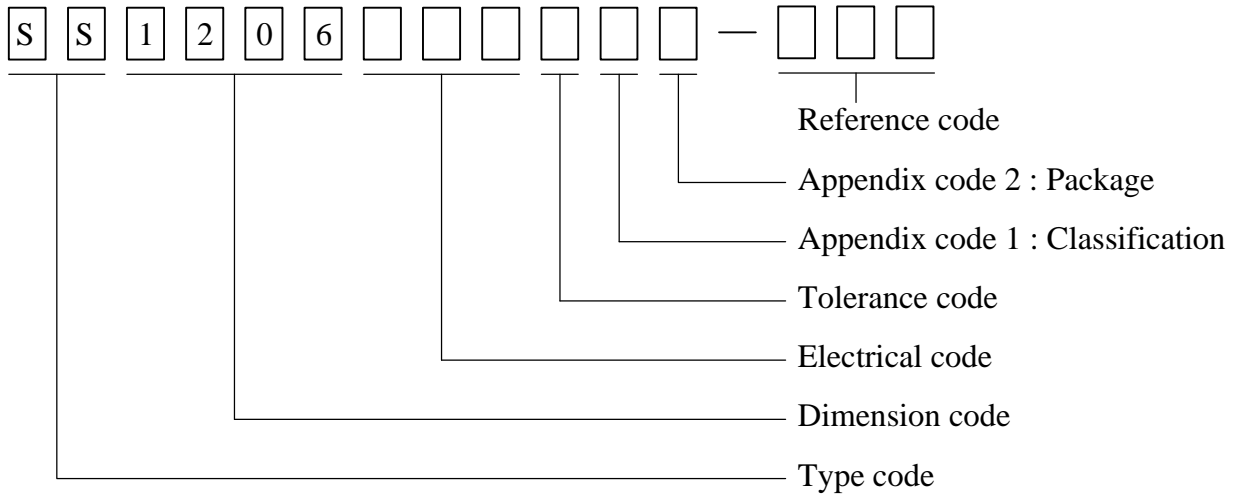
AR-001C

SPECIFICATION FOR APPROVAL

REF. :

PROD. NAME	Shielded SMD Power Inductor	ABC'S DWG NO.	SS1206□□□□T□-□□□		
		REV.	20160901-D	PAGE	5

VII . Drawing number expression :



Appendix code 1 : Product Classification

Appendix code 2 : Package Information

Code	Inner package	Cover tape	Carrier tape	Bag	Package Q'TY	Remark
B	T/R (Reel package)	UCT	Antistatic	Antistatic	600 pcs	

AR-001C

SPECIFICATION FOR APPROVAL

REF. :

PROD. NAME	Shielded SMD Power Inductor	ABC'S DWG NO.	SS1206□□□□T□-□□□		
		REV.	20160901-D	PAGE	6

VIII . Reliability test :

Item	Reference documents	Test Condition	Test Specification
1.High Temperature Exposure	MIL-STD-202 Method 108	1.Temperature: 125±2℃ 2.Time:96±2 hours.	1.No mechanical or electrical damage. 2.Inductance shall not change more than ±20%.
2.Temperature Cycling	JESD22-A 104	1.Temperature: -40℃ ~ +125℃ 2.Number of cycle:100 cycles 3.Dwell time:30 minutes	1.No mechanical or electrical damage. 2.Inductance shall not change more than ±20%.
3.Biased Humidity Test	MIL-STD-202 Method 103	1.Temperature : 85±2℃ 2.Humidity: 85% RH. 3.Time:96±2 Hours	1.No mechanical or electrical damage. 2.Inductance shall not change more than ±20%.
4.Operational Life	JESD22-A 108	1.Temperature: 125℃ (Temp. rise included) 2.Time:96±2 hours. 3.Rated current	1.No mechanical or electrical damage. 2.Inductance shall not change more than ±20%.
5.External Visual	JESD22-B 101 & MIL-STD-883 Method 2009	Inspect product constructions, marking and workmanship.	1.No pollution on the surface of products. 2.Clear marking. 3.No crack.
6.Physical Dimensions	JESD22-B 100	Verify physical dimensions to the applicable product detail specification.	Per product specification standard
7.Resistance to solvents	MIL-STD-202 Method 215	Immerse into solvent for 3±0.5 minutes & brush 10 times for 3 cycles.	1.No body change in apperance. 2.No marking blurred. 3.Inductance shall not change more than ±20%.
8.Vibration Test	MIL-STD-202 Method 204	1.Frequency and Amplitud : 10-2000-10 Hz, 1.5 mm. 2.Direction:X, Y, Z 3.Test duration:2 hours for each direction, 6 hours in total.	1.No mechanical or electrical damage. 2.Inductance shall not change more than ±20%.
9.Resistance To Soldering Heat Test	MIL-STD-202 Method 210 & J-STD020D.1	1.Highest temperature : 245±5℃. 2.Time (temp. ≥ 217℃) : 60~150 Seconds. 3.IR reflow times : 3 times.	1.No mechanical or electrical damage. 2.Inductance shall not change more than ±20%.
10.Saturation Current	JIS C 6436 & User SPEC.	1.Applied rated current for 5 seconds. 2.Saturation current	Inductance shall not drop more than 10% max.
11.Over load	JIS C 6436 & User SPEC.	1.Applied one and half rated current for a period of 5 minutes. 2.Rated current	No electrical or mechanical damage
12.Temperature Rise Current	JIS C 6436 & User SPEC.	1.Applied rated current for 10 minutes. 2.Temperature measure by digital surface thermometer. 3.Irms current	Surface temperature rise is less than 40℃ max.
13.Solderability Test	J-STD-002 & JESD22-B 102	1.Baking in pre-testing : 150±5℃ / 16Hours±30 min. 2.Peak temperature : 240±5℃ 3.Time (temp. ≥ 217℃) : 60~150 seconds. 4.IR reflow times : 1 time.	More than 95% soldering coverage min on terminations.
14.Electrical Characteriazation	MIL-STD-202 Method 304 & User SPEC.	1.Operating temperature : -40℃~125℃ 2.Room temperature : 25℃.	1.No mechanical or electrical damage. 2.Inductance shall not change more than ±20%.
15.Drop	CNS-C6354 & GB/T 2423.8	1.Products shall be mounted on SPEC. PCB and dropped down from a height of 1m 2.Drop total time : 6 times (Every side of sample drop 2 times)	1. Adhesion on PCB shall be enough. 2. Product appearance shall not break. 3. No electrical damage.
16.Terminal Strength Test	IEC 60068-2-21	1.Apply push force to samples mounted on PCB. 2.Force of 1.8 kg for 60±1 seconds.	After test, inductors shall be no mechanical damage.

AR-001C