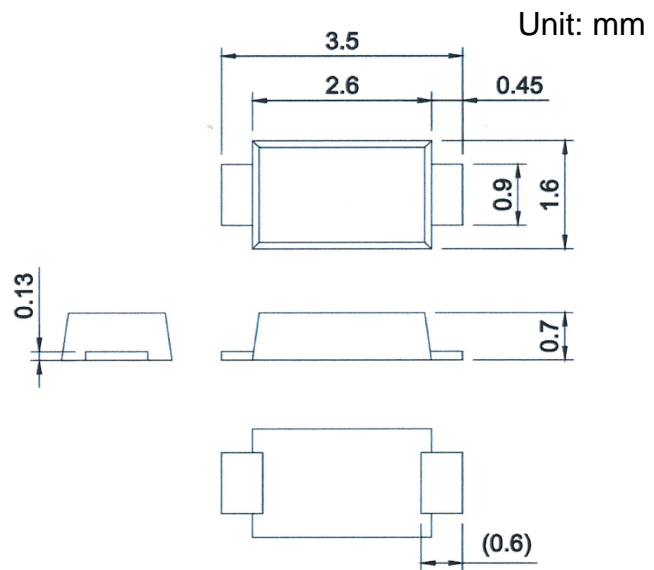
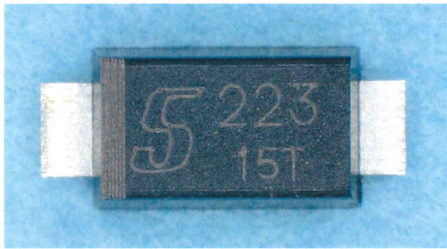


## CRD S series S-223T

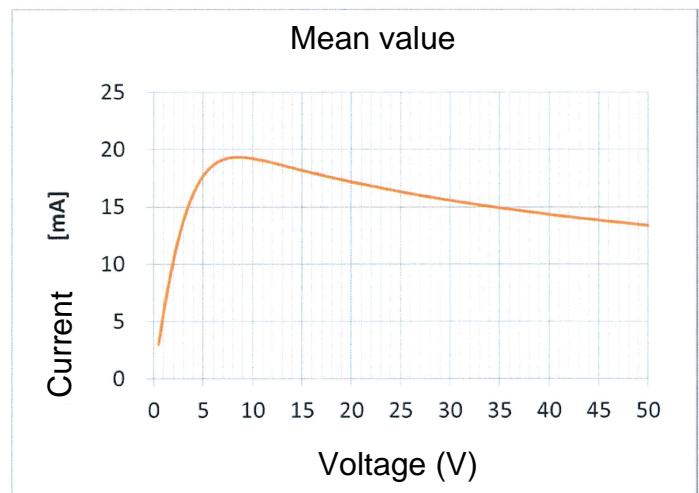
### 1. Outside appearance



### 2. Rating

2.1 Rated power	500 mW
2.2 Rated voltage (pulse wave)	50 V
2.3 Allowable Re- verse current	50 mA
2.4 Junction tem- perature	150 °C
2.5 Operating tem- perature range	-40 ~ 150 °C

### 4. Dynamic characteristics



### 3. Specifications

3.1 Pinch-off current $I_p$ (mA)	20 ~ 25 mA
3.2 Limiting current	5.3 V
3.3 Temperature co- efficient	-0.25 ~ -0.45 %/°C (25~50°C)
3.4 Max rated volt- age	30 V