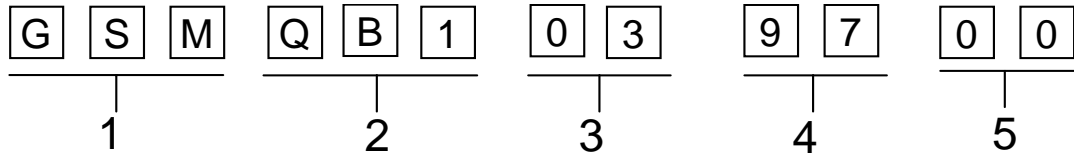


GSM QB1 BNC 2m Flat Antenna

1. Explanation of Part Number



1 : Series type, GSM Flat Antenna

2 :	Code	Frequency Range/ Appearance code
	QB1	850MHz,900MHz, 1800MHz,1900MHz Appearance 1, molding with black color

3 :	Code	Cable type, Color, length
	03	RG-174, color black, length 2±0.1m

4 :	Code	Connector type
	97	BNC STRAIGHT CRIMP CABLE-PLUG

5 : Suffix for special requirements

2. Specification:

2.1 Specification:

Item	Specification
Frequency Range	824~896 MHz (US-GSM,CDMA-2000) 880~960 MHz (GSM) 1710~1880MHz (DCS) 1850~1990MHz (PCS)
VSWR	2.5 max.
Antenna gain (do not include the cable loss)	2.0 dBi Max.
Polarization	Vertical
Impedance	50 Ohm
Operating temperature	-30~+70°C
Storage temperature	-40~+85°C

UNLESS OTHER SPECIFIED TOLERANCES ON :

X=±1 X.X=± X.XX= HOLEDIA=±



佳邦科技股份有限公司
INPAQ TECHNOLOGY CO., LTD.

SCALE : UNIT : mm

DRAWN BY : 許偉欣 CHECKED BY : 陳秉宏

DESIGNED BY : 曾泓璋 APPROVED BY : 白世璽

THIS DRAWINGS AND SPECIFICATIONS ARE THE PROPERTY OF INPAQ TECHNOLOGY CO.,LTD.AND SHALL NOT BE REPRODUCED OR USED AS THE BASIS FOR THE MANUFACTURE OR SALE OF APPARATUS OR DEVICES WITHOUT PERMISSION

TITLE : GSM QB1 BNC 2m Flat Antenna

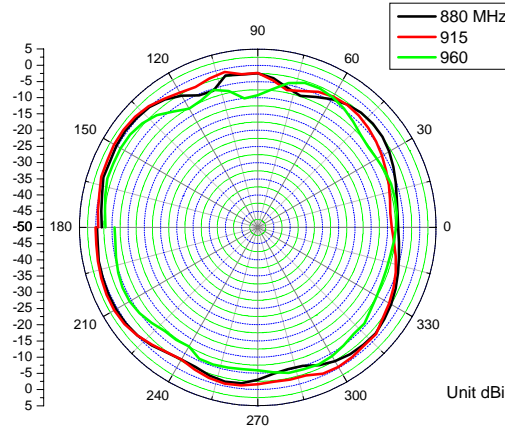
DOCUMENT NO.

020000032009

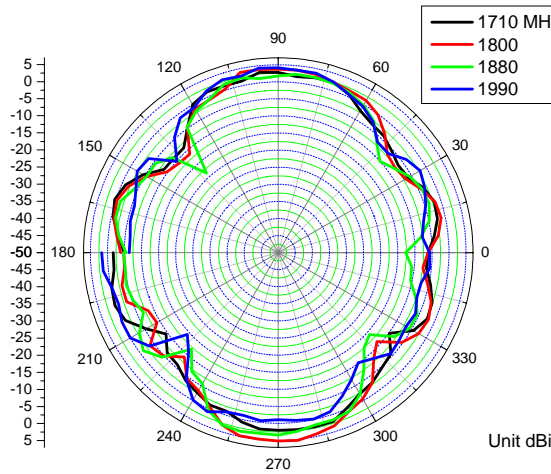
PAGE REV.
A0

2.2 Typical Radiation Pattern

H-plane GSM band



H-plane DCS/PCS band



Pattern table summary:

Unit dBi MHz	0 degree			90 degree			Total power		
	Max.	Min.	Ave.	Max.	Min.	Ave.	Max.	Min.	Ave.
824	-6.73	-32.14	-12.15	1.22	-24.30	-3.09	1.23	-17.51	-2.61
880	-6.97	-26.98	-12.09	2.75	-16.99	-1.36	2.75	-12.37	-1.03
915	-6.37	-25.32	-10.21	2.05	-15.44	-1.73	2.31	-11.20	-1.20
960	-1.27	-15.30	-5.69	1.32	-31.06	-2.87	1.38	-13.83	-2.13
1710	-1.59	-23.43	-5.03	0.35	-30.57	-5.43	1.34	-12.51	-2.35
1800	-0.69	-14.08	-3.15	-2.17	-25.73	-7.15	1.10	-8.70	-1.30
1880	0.62	-9.27	-1.96	-6.97	-29.10	-10.57	0.25	-6.76	-2.05
1990	-0.59	-5.40	-2.83	-12.54	-24.53	-16.82	-0.55	-4.88	-2.66

Caution: The data was measured on the thickness 6mm car glass with 30cm RG174 black SMA cable.

UNLESS OTHER SPECIFIED TOLERANCES ON :

X=±1 X.X=± X.XX=±
 ANGLES=± HOLEDIA=±

SCALE : UNIT : mm

DRAWN BY : 許偉欣 CHECKED BY : 陳秉宏

DESIGNED BY : 曾泓璋 APPROVED BY : 白世璽



佳邦科技股份有限公司
 INPAQ TECHNOLOGY CO., LTD.

THIS DRAWINGS AND SPECIFICATIONS ARE THE PROPERTY OF INPAQ TECHNOLOGY CO.,LTD.AND SHALL NOT BE REPRODUCED OR USED AS THE BASIS FOR THE MANUFACTURE OR SALE OF APPARATUS OR DEVICES WITHOUT PERMISSION

TITLE : GSM QB1 BNC 2m Flat Antenna

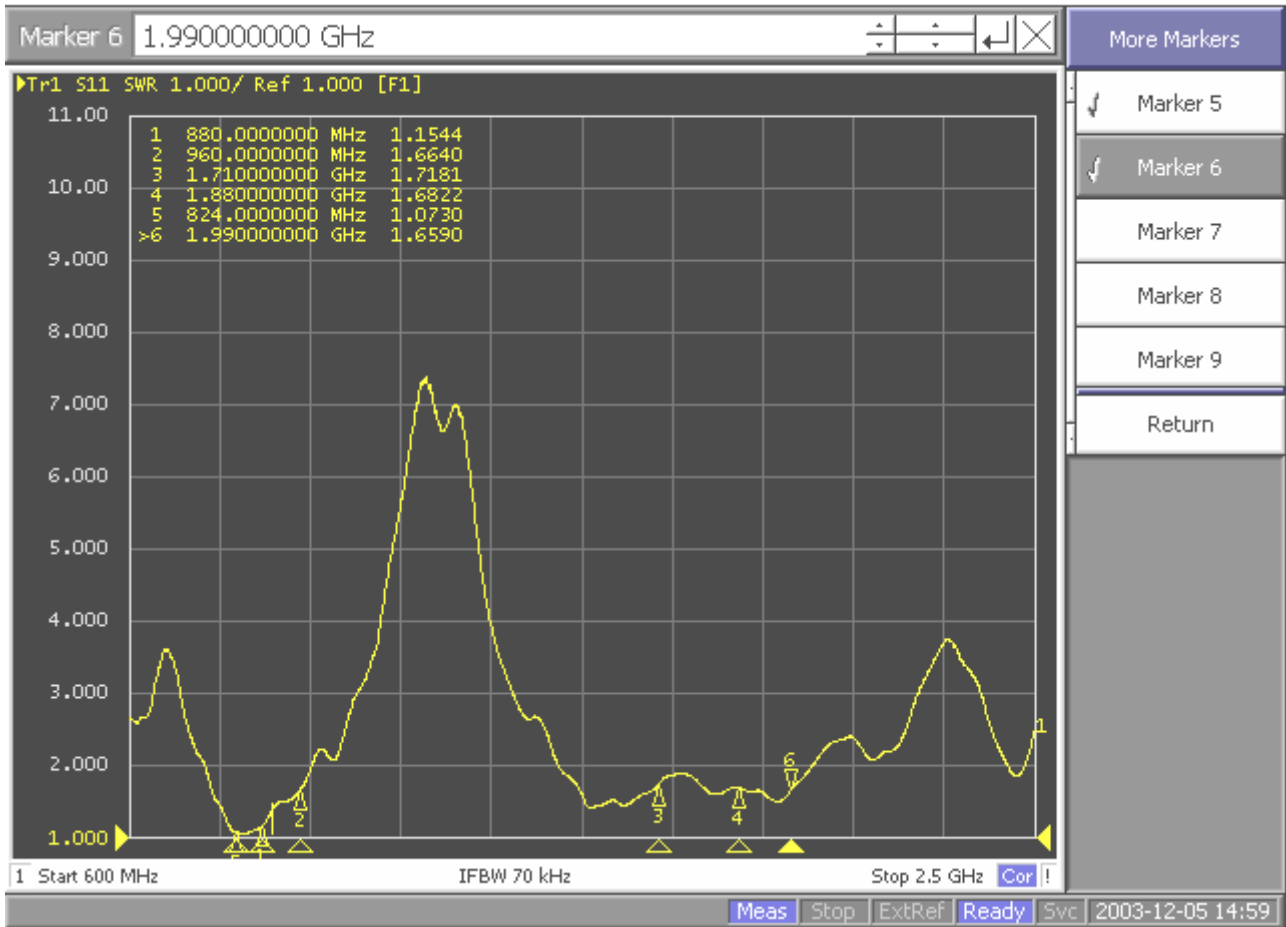
DOCUMENT NO.

020000032009

PAGE REV.
 A0

2.3 Typical VSWR Value

1 Active Ch/Trace 2 Response 3 Stimulus 4 Mkr/Analysis 5 Instr State

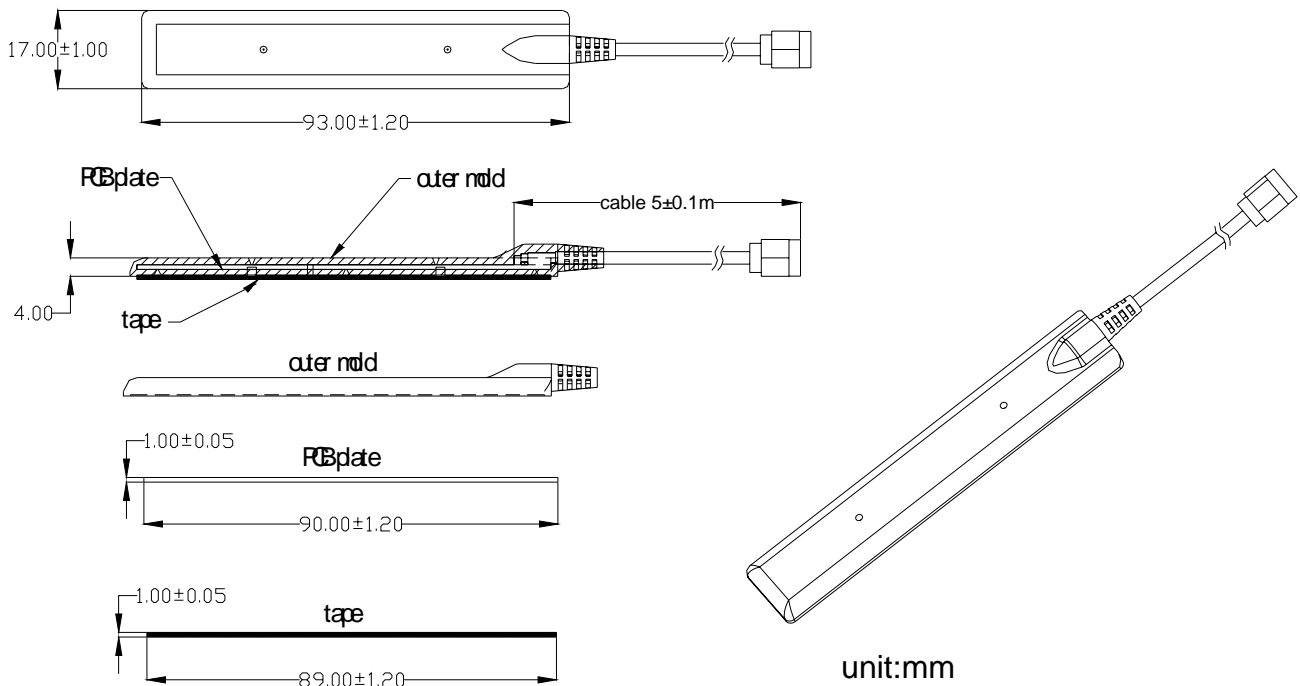


Caution: The data was measured on the thickness 6mm car glass with 30cm RG174 black SMA cable.

UNLESS OTHER SPECIFIED TOLERANCES ON :		 佳邦科技股份有限公司 INPAQ TECHNOLOGY CO., LTD.						
X=±1	X.X=±							
ANGLES=±	HOLEDIA=±	THIS DRAWINGS AND SPECIFICATIONS ARE THE PROPERTY OF INPAQ TECHNOLOGY CO.,LTD.AND SHALL NOT BE REPRODUCED OR USED AS THE BASIS FOR THE MANUFACTURE OR SALE OF APPARATUS OR DEVICES WITHOUT PERMISSION						
SCALE :	UNIT : mm							
DRAWN BY : 許偉欣	CHECKED BY : 陳秉宏	<table border="1"> <tr> <td>DOCUMENT NO.</td> <td>020000032009</td> <td>PAGE REV.</td> </tr> <tr> <td></td> <td></td> <td>A0</td> </tr> </table>	DOCUMENT NO.	020000032009	PAGE REV.			A0
DOCUMENT NO.	020000032009		PAGE REV.					
		A0						
DESIGNED BY : 曾泓璋	APPROVED BY : 白世璽							
TITLE : GSM QB1 BNC 2m Flat Antenna								

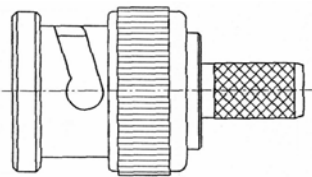
3. Dimensions and Structure:

3.1 Mechanical layout:



1. Outer mold material: TPR Black
2. PCB plate: FR4 1mm in thickness (90x14x1t mm³).
3. Tape material: 3M-RC3831

3.2 Connector (BNC STRAIGHT CRIMP CABLE-PLUG):



UNLESS OTHER SPECIFIED TOLERANCES ON :

X=±1 X.X=± X.XX=±
 ANGLES=± HOLEDIA=±

SCALE : UNIT : mm

DRAWN BY : 許偉欣 CHECKED BY : 陳秉宏

DESIGNED BY : 曾泓璋 APPROVED BY : 白世璽

TITLE : GSM QB1 BNC 2m Flat Antenna



佳邦科技股份有限公司
 INPAQ TECHNOLOGY CO., LTD.

THIS DRAWINGS AND SPECIFICATIONS ARE THE PROPERTY OF INPAQ TECHNOLOGY CO.,LTD.AND SHALL NOT BE REPRODUCED OR USED AS THE BASIS FOR THE MANUFACTURE OR SALE OF APPARATUS OR DEVICES WITHOUT PERMISSION

DOCUMENT NO.

020000032009

PAGE REV.
 A0

4. Installation & Bonding:

4.1 Installation:

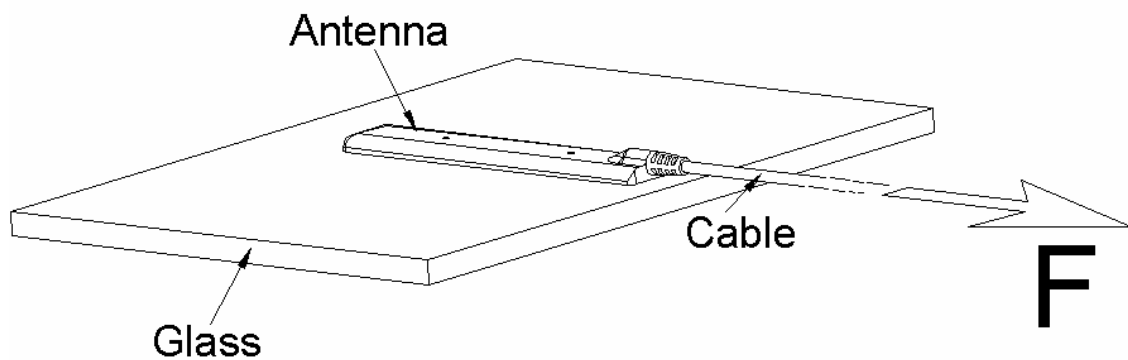
Install antenna on glass or plastic material with vertical and far from metallic frame approximate 50 mm.

4.2 Bonding Steps:

- a. Solvent Wipe.
- b. Wipe Dry.
- c. Attaching antenna on glass

4.3 Pull force test:

- a. Antenna bonding material – 3M-RC3831
- b. Following 4.2. Installing step and test conditions:



- c. With 10 kgw pull force for 3 seconds; antenna drift less 5 mm and the structure of antenna is well.

UNLESS OTHER SPECIFIED TOLERANCES ON :

X=±1 X.X=± X.XX=
 ANGLES=± HOLEDIA=±



佳邦科技股份有限公司
 INPAQ TECHNOLOGY CO., LTD.

SCALE : UNIT : mm

DRAWN BY : 許偉欣 CHECKED BY : 陳秉宏

DESIGNED BY : 曾泓璋 APPROVED BY : 白世璽

THIS DRAWINGS AND SPECIFICATIONS ARE THE PROPERTY OF INPAQ TECHNOLOGY CO.,LTD.AND SHALL NOT BE REPRODUCED OR USED AS THE BASIS FOR THE MANUFACTURE OR SALE OF APPARATUS OR DEVICES WITHOUT PERMISSION

TITLE : GSM QB1 BNC 2m Flat Antenna

DOCUMENT
 NO.

020000032009

PAGE REV.
 A0