


佛山鎡利電子有限公司
Vanson Electronics (NanHai) Co., Ltd.
 HTTP://www.vecoc.com.cn
Luocun Industrial zone Nanhai District Foshan city
Guangdong Province China E-mail:vecocf@vansonic.net
 廣東省佛山市南海區羅村工業區 郵編:528226
 TEL:+86-757-8853 6828 FAX:+86-757-8853 6826

Specification

規 格 書

品名 (Product Name)	揚聲器 (Speaker)
料號 (Model No.)	P28CRG08-2-N50BD-W

Revision History			
Version	Date	Description	Author
00	2016/07/20	Creation	LHN
01	2016/09/02	更新規格	LHN
02	2017/02/21	更新曲线，增加喇叭盆架耐压力规格	CXY
03	2017/04/17	变更*处公差及增加喇叭側邊黑膠最大尺寸标示	CXY

核準 (Approval)	高紅華	2017/04/17
審查 (Check)	曾憲財	2017/04/17
設計(Design)	鄧水龍	2017/04/17
制作 (Author)	蔡杏儀	2017/04/17



Vanson Electronics(Nanhai) Co., Ltd.

Luocun Industrial zone Nanhai District Foshan city Guangdong Province China

TEL:+86-757-8853 6828 FAX:+86-757-8853 6826 E-mail: vecof@vansonic.net

1.	MODEL:	P28CRG08-2-N50BD-W	
2.	Dimension & Weight	Outer Diameter	ϕ 28 mm
		Baffle Opening	ϕ 24 mm
		Height	Refer to drawing
		Weight	5.5 Grams
3.	Magnet	Materials	Rare Earth
		Size	ϕ 13.4*1.8 mm
4.	DC Resistance	8 \pm 15 % ohms On Ohm Meter	
5.	Power Rating	Normal	1.0 Watts
		Maximum	1.5 Watts Sine Wave.
		Normal	Watts
		Maximum	Watts Square Wave.
6.	Resonant Frequency	650 \pm 120 Hz.	
7.	Output Sound Pressure Level (S.P.L.)	102 \pm 3 db 1.0 Watt. 0.1 Meter	
		Average at 800, 1000, 1200, 1500 Hz	
8.	Frequency Range	FO \sim 20000 Hz. Average SPL – 10 db.	
9.	Distortion	Less than 15% Fo-10kHz, 1.0 Watt. 0.1 Meter	
10.	Abnormal Sound test	Must be Normal Tested By 2.83 Volts. Sine Wave.	
11.	Load Test	Pink noise with HPF(High Pass Filter 235HZ-3db/Oct) 2.83 Volts. (RMS.) 96 Hours.	
12.	Waterproof Level	IPX5	
13.	Polarity	Diaphragm shall move Forward while Apply a Positive DC Signal to the " + " or " Marked " Terminal.	

Above Measuring condition under temperature : 15~35°C R.H. 25 ~75%. According to standard GB/T12060.5-2011

Mechanical and vibration test

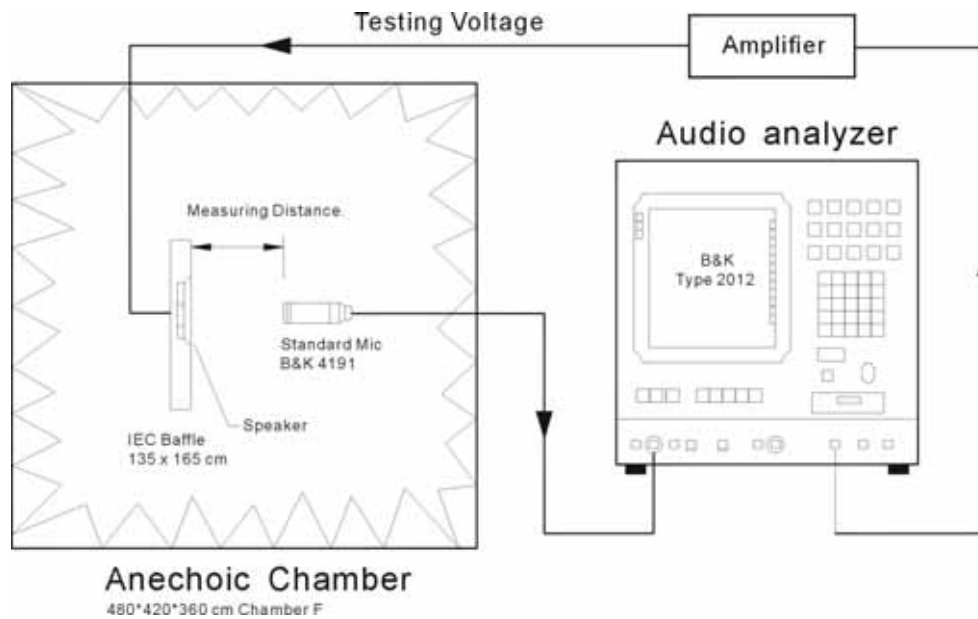
14.	High Temperature	+ 85 \pm 2 °C	Humidity Random for 96 Hours. (GB2423.2-81)
15.	Low Temperature	- 40 \pm 2 °C	Humidity Random for 96 Hours. (GB2423.1-81)
16.	Humidity	+ 40 \pm 2 °C	Relative Humidity (RH) 90 ~ 95 % 96 Hours.
17.	Vibration	Frequency 30 \pm 15 Hz, Amplitude 1.5 mm for 3 Hours. (GB11606.8-89)	
18.	Drop test	75 CM free falling on Concrete floor, 10 times. (GB2423. 8-81)	
After test leave speakers at room temperature for 1 hour, SPL shall not deviate by \pm 3 db from pre-test Measurement, and meet above spec. item 6. 7. 8. 9. 10.			
19.	Temperature Cycle test	- 40 ~ + 85 °C	4 Cycles Temperature test. (GB5170.18-87)

After test leave speakers at room temperature for 1 hour, SPL shall not deviate by \pm 3 db from pre-test Measurement, and meet above spec. item 6. 7. 8. 9. 10.

Please refer to next pages for more detailed testing method.

Test method and User precaution.

1. Characteristics measured according to standard GB/T12060.5-2011
 - 1.1 Except other specified, measuring are under Temperature 15~35°C R.H. 25 ~75%
 - 1.2 Judgement condition Temperature 20 ±2 R.H. 63~67%
 - 1.3 .Product shelf life is valid for 12 months only.
2. Output Sound Pressure Level (S.P.L.) and distortion testing setup



3. Environment & Mechanical test:

3.1 High Temperature: GB2423.2-81

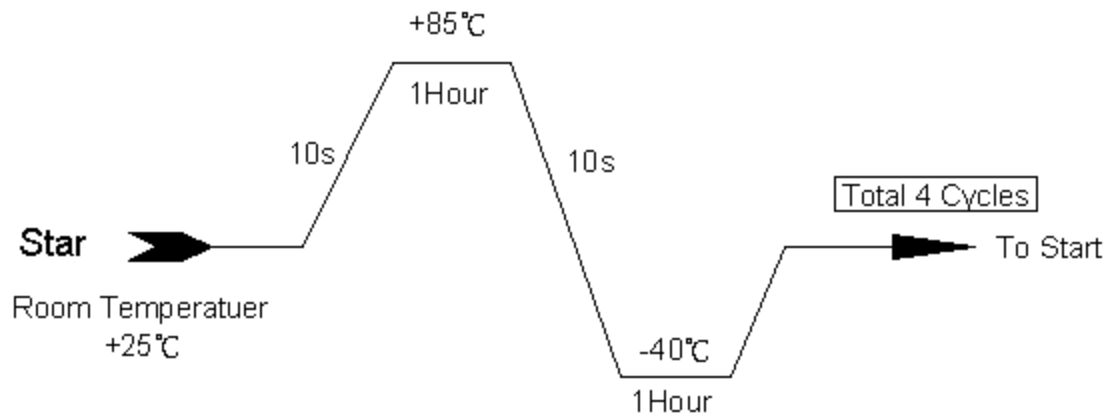
After exposure the speaker in the + 85 ± 2 °C chamber for 96 hours, then leave the speaker at room temperature for 1 hour, the SPL should not deviate by ± 3 db, and resonant frequency should not deviate by ± 50 Hz, compare with pre-test measurement.

3.2 Low Temperature: GB2423.1-81

After exposure the speaker in the -40 ± 2 °C chamber for 96 hours, then leave the speaker at room temperature for 1 hour, the SPL should not deviate by ± 3 db, and resonant frequency should not deviate by ± 50 Hz, compare with pre-test measurement.

3.3 Temperature cycle: GB5170.18-87

After exposure the speaker in the chamber, temperature cycle setting as below shows, SPL should not deviate by ± 3 db, and resonant frequency should not deviate by ± 80 Hz, compare with pre-test measurement.



3.4 Humidity: GB5170.18-87

After exposure the speaker in the + 40±2 °C, relative humidity 90% ~ 95% chamber for 96 hours, then leave the speaker at room temperature for 6 hours, the SPL should not deviate by ±3 db, and resonant frequency should not deviate by ±50 Hz, compare with pre-test measurement.

3.5 Vibration: GB11606.8-89

Frequency 30±15 Hz, Amplitude 1.5 mm for 3 Hours. After test, SPL shall not deviate by ±3 db from pre-test measurement,

3.6 Load test: GB/T 9396-1996

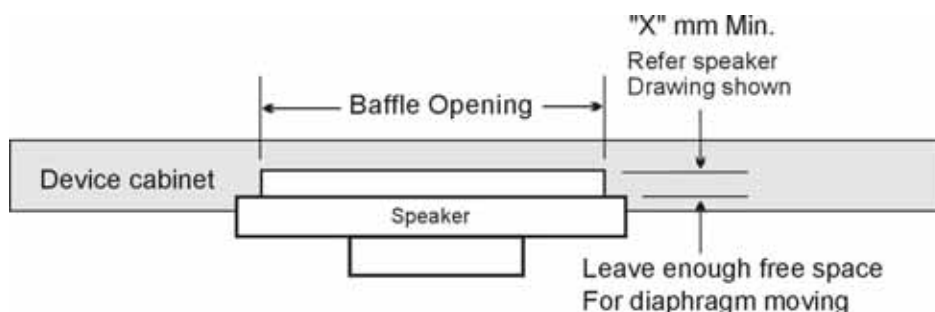
Speaker should not fail after apply 20 ~ 20K Hz pink noise with HPF rated power input (RMS), 96 hours. After test, SPL shall not deviate by ±3 db from pre-test measurement,

3.7 Drop test: GB2423. 8-81

75 cm free falling on concrete floor, 10 times. After test, SPL shall not deviate by ±3 db from pre-test measurement,

4. Mounting precaution

In order to keep speaker work normally, there shall leave enough free space for diaphragm moving, minimum distance required is marked in speaker mechanical drawing.



5. Measuring & standard referenced

Abstract from GB/T12060.5-2011 and IEC 60268-5:2007 methods of measurement for main characteristics of loud speakers.

5.1 Rated sine voltage.

It is stipulated by manufacturer, sine signal voltage that make speaker work continuously in rated frequency range, but the speaker wouldn't be damaged heartily or mechanically.

The persist time of the voltage is 1 hour.

5.2 The rated sine power.

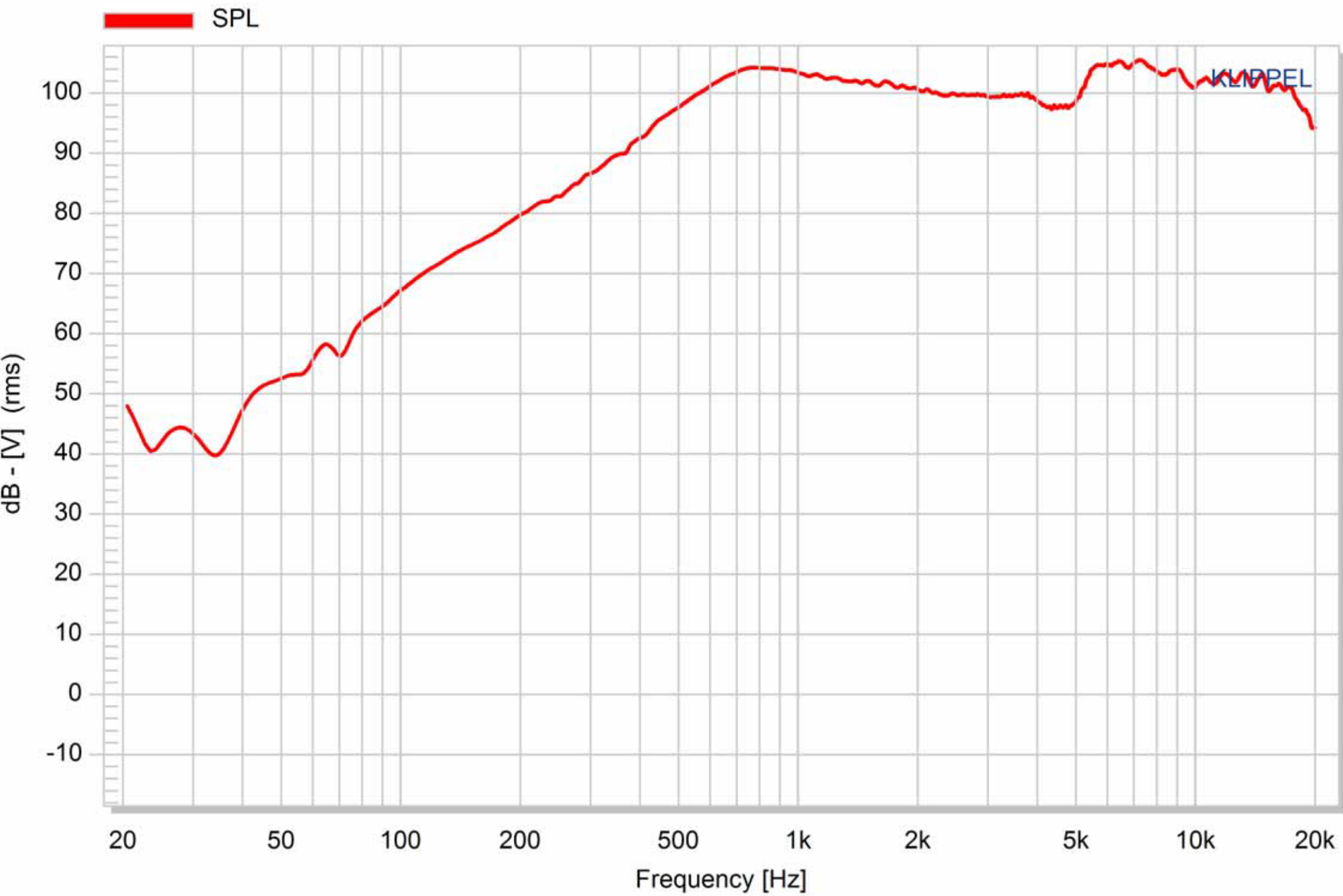
The rated sine power is corresponding with the rated sine voltage, its definition is U_s^2/R , U_s indicates the maximum sin voltage, R indicates the rated impedance.

5.3 The rated noise power.

The rated noise power is corresponding with the rated noise voltage, its definition is U_n^2/R , U_n indicates the rated noise voltage, R indicates the rated impedance.

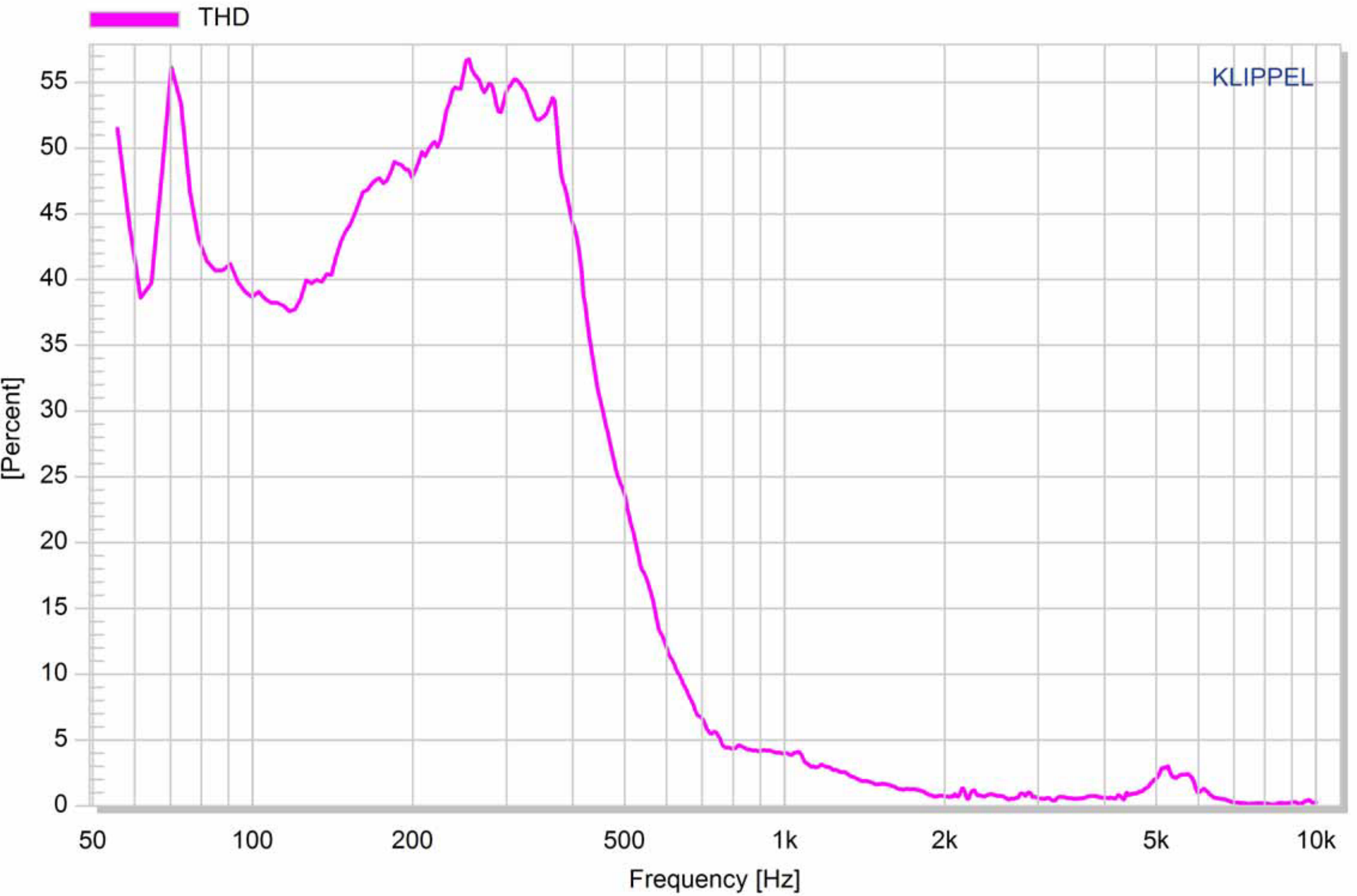
P28CRG08-2-N50BD-W

1W/0.1M

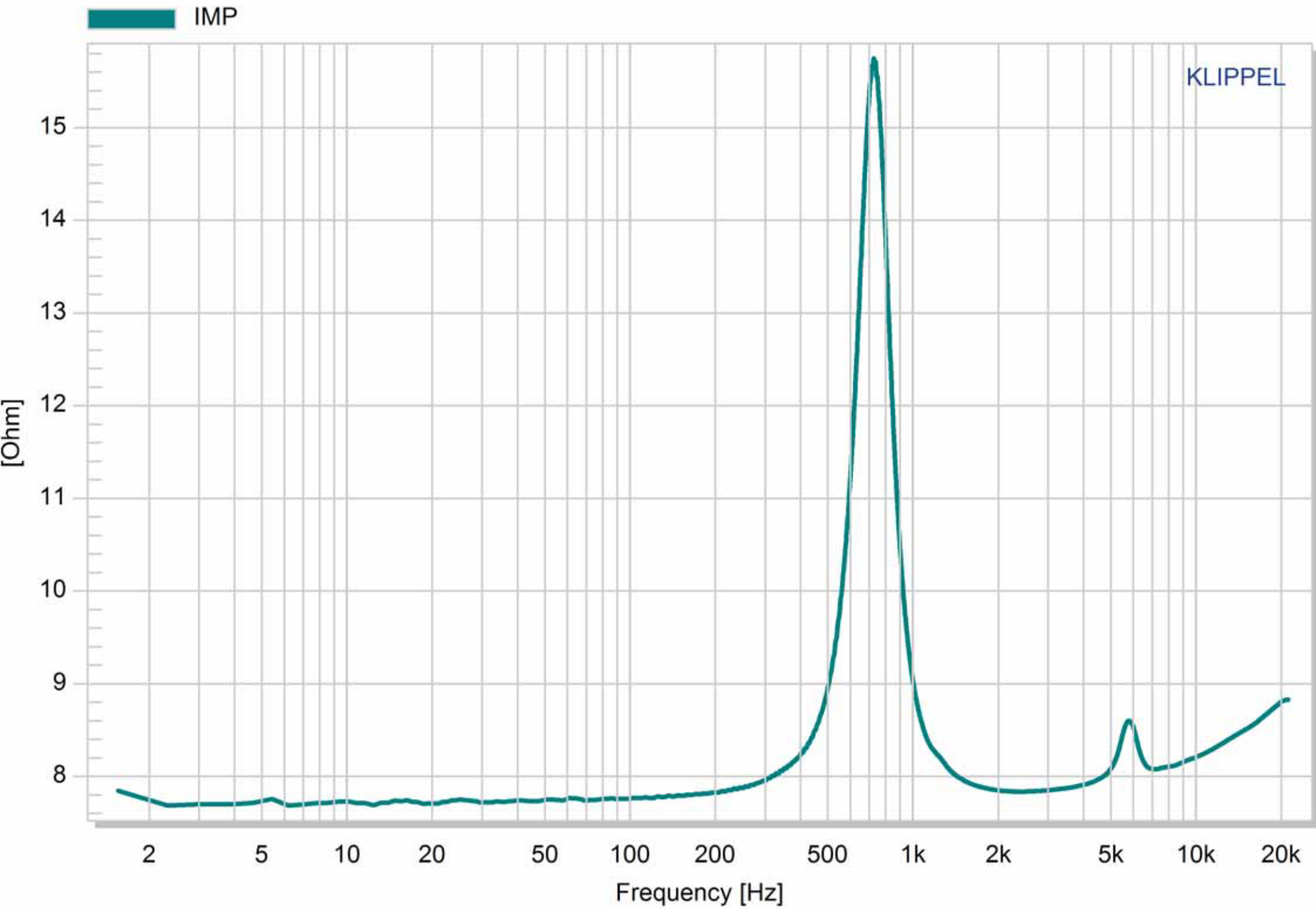


P28CRG08-2-N50BD-W

1W/0.1M



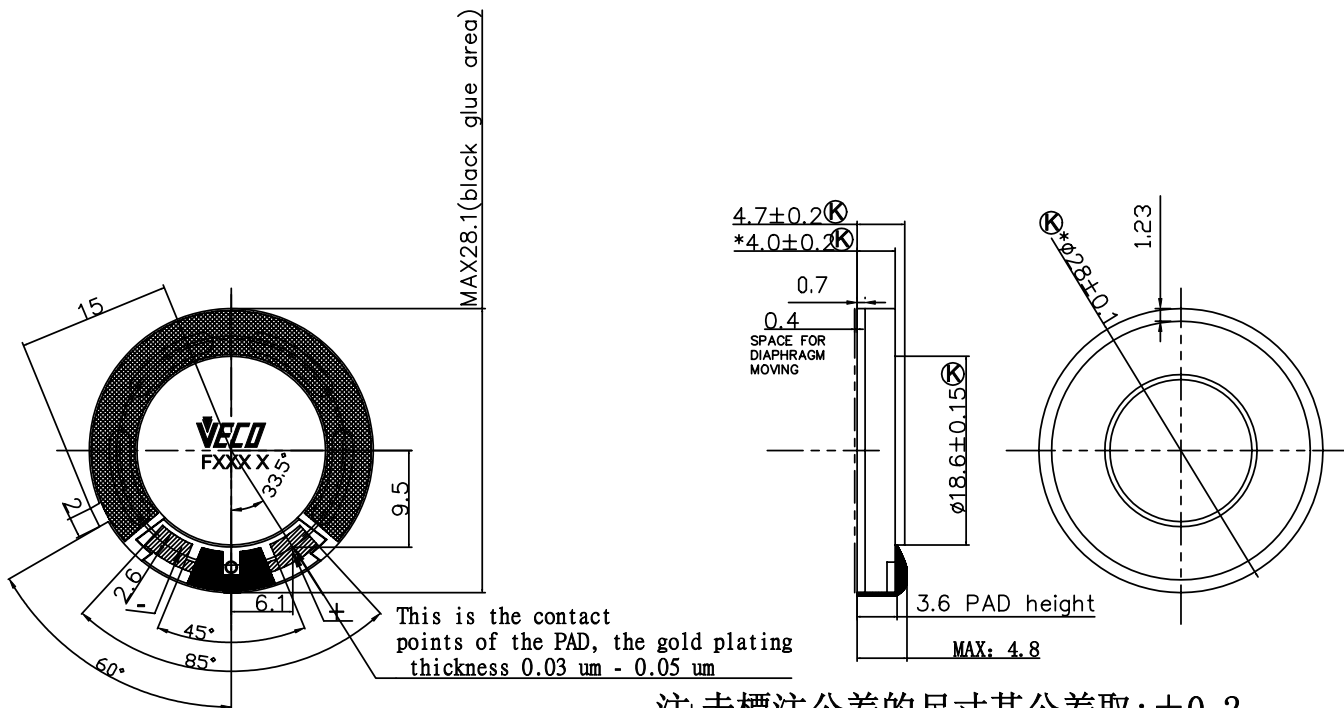
P28CRG08-2-N50BD-W



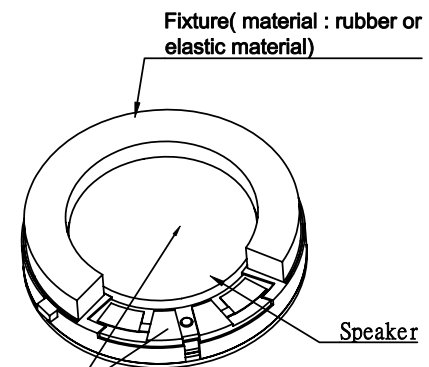
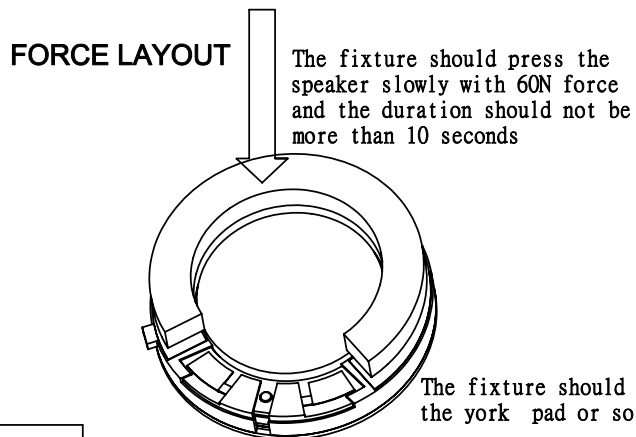
NOTE:

1. 加工要求:
2. 表面處理:
3. 制程重點:
4. 檢驗重點:

不准使用鎳利
電子禁止使用的
環境管理物質



注: 未標注公差的尺寸其公差取: ±0.2



RANGE	TOL	✓			
0-8	±0.05	±0.1	±0.15	±0.2	±1
8-16	±0.1	±0.15	±0.2	±0.2	±2
16-24	±0.15	±0.2	±0.3	±0.3	±2
24-50	±0.2	±0.25	±0.3	±0.4	±3
50-100	±0.25	±0.3	±0.5	±0.5	±3
>100	±0.3	±0.4	±0.4	±0.8	±5

Ⓚ CRITICAL DIMENSIONS	ENVIRONMENT REQUIREMENT:	V02	2017.04.14	變更*公差及增加喇叭側邊黑膠最大尺寸標示
COSTOMER PN:	VECO PN:	V01	2017.03.20	變更*尺寸
DATE: 16/03/2017	MATERIAL:	ITEM	Y/M/D	CONTENTS OF CHANGE
COLOUR:				SPONSOR

Vanson Electronics (Nanhai) Co., Ltd.
 鎳利電子
 E-MAIL: fsvcco@veco.com.cn
 TEL:+86-757-81266388 FAX:+86-757-81266389

Title: P28CRG08-2-N50BD-W

Unit: mm VER: 02 Appr.:
 Scale: 1:1 CHK.:
 Dwg.: 邓水龙