

5W, AC/DC converter



LD05-20Bxx series— is a compact size power converter offered by Mornsun. It features universal input voltage, taking both DC and AC input voltage, low power consumption, high efficiency, high reliability, safer isolation. It offers good EMC performance, and is UL & CE certified, and widely used in industrial, electricity, instruments, telecommunication and civil applications.

Note: Please refer to Design Reference when module being used in a bad EMC environment.

FEATURES

- Universal input voltage range: 85~264VAC/100~370VDC
- AC and DC dual-use(Input from the same terminal)
- High efficiency, high power density
- Output short circuit, over-current, over-voltage protections
- Meets UL60950, EN60950 standards (Pending)
- Mounting :PCB mounting, Chassis mounting, Din-Rail mounting available

Selection Guide

Certification	Part No.	Output Power	Nominal Output Voltage and Current(Vo/Io)	Efficiency (230VAC, %/Typ.)	Max. Capacitive Load* (μF)
UL/CE (Pending)	LD05-20B03	4.2W	3.3V/1250mA	74	4000
	LD05-20B05	5W	5V/1000mA	78	4000
	LD05-20B09		9V/550mA	78	1000
	LD05-20B12		12V/420mA	80	820
	LD05-20B15		15V/333mA	82	820
	LD05-20B24	5.5W	24V/230mA	83	330

Note: *Test without external circuit.

Input Specifications

Item	Operating Conditions	Min.	Typ.	Max.	Unit
Input Voltage Range	AC input	85	--	264	VAC
	DC input	100	--	370	VDC
Input Frequency		47	--	63	Hz
Input Current	110VAC	--	--	150	mA
	230VAC	--	--	70	
Inrush Current	110VAC	--	10	--	A
	230VAC	--	20	--	
Recommended External Input Fuse(Special package series include fuse)		1A/250V, slow fusing, necessary			
Hot Plug		Unavailable			

Output Specifications

Item	Operating Conditions		Min.	Typ.	Max.	Unit
Output Voltage Accuracy	3.3V output		--	±3	--	%
	Other output		--	±2	--	
Line Regulation	Full load		--	±0.5	--	%
Load Regulation	10%-100% load		--	±1	--	
Ripple & Noise*	20MHz bandwidth (peak-peak value)	3.3V/5V output	--	60	120	mV
		Other output	--	50	100	
Temperature Coefficient			--	±0.02	--	%/°C
Stand-by Power Consumption			--	--	0.3	W
Short Circuit Protection			Hiccup, continuous, self-recovery			
Over-current Protection			≥110%Io self-recovery			
Over-voltage Protection			Over-voltage shutdown			
Hold-up Time	110VAC input		--	12	--	ms
	230VAC input		--	80	--	

Note: * Ripple and noise are measured by "parallel cable" method, please see AC-DC Converter Application Notes for specific operation.

General Specifications

Item	Operating Conditions		Min.	Typ.	Max.	Unit
Isolation Voltage	Input-output	Test time: 1min	4000	--	--	VAC
Operating Temperature			-25	--	+70	°C
Storage Temperature			-25	--	+105	
Storage Humidity			--	--	95	%RH
Switching Frequency			--	--	140	KHz
Power Derating	+55°C ~ +70°C		2.0	--	--	%/°C
	+0°C ~ -25°C		2.0	--	--	
Safety Standard			IEC60950/EN60950/UL60950			
Safety Certification			EN60950/UL60950 (Pending)			
Safety Class			CLASS II			
MTBF			MIL-HDBK-217F@25°C > 300,000 h			

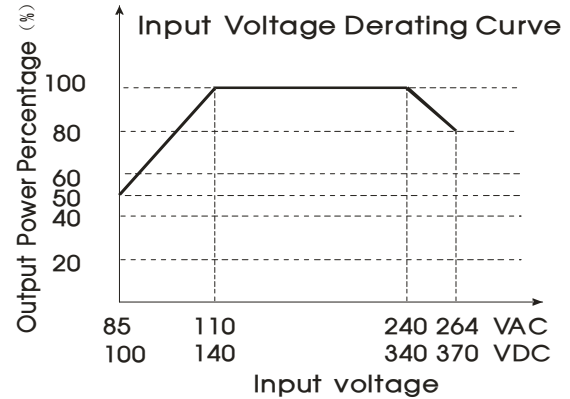
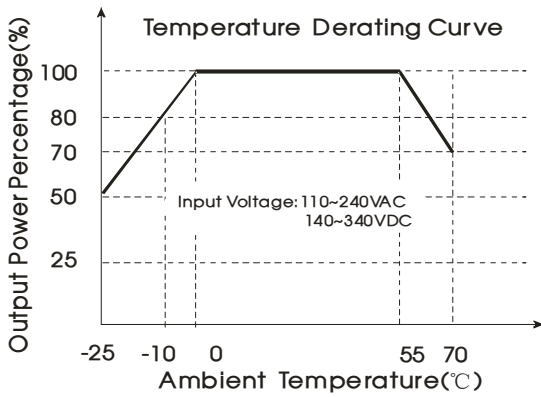
Physical Specifications

Casing Material	Black flame-retardant and heat-resistant plastic (UL94-V0)	
Dimension	Horizontal package/A2 chassis mounting/A4 Din-Rail mounting / A2S chassis mounting/A4S Din-Rail mounting	
Weight	Horizontal package/A2 chassis mounting/A4 Din-Rail mounting / A2S chassis mounting/A4S Din-Rail mounting	
Cooling Method	Free convection	
	31g/80g /121g /52g /70g (Typ.)	

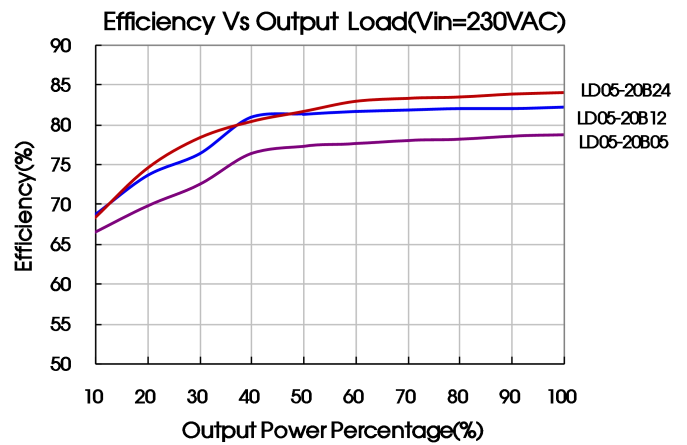
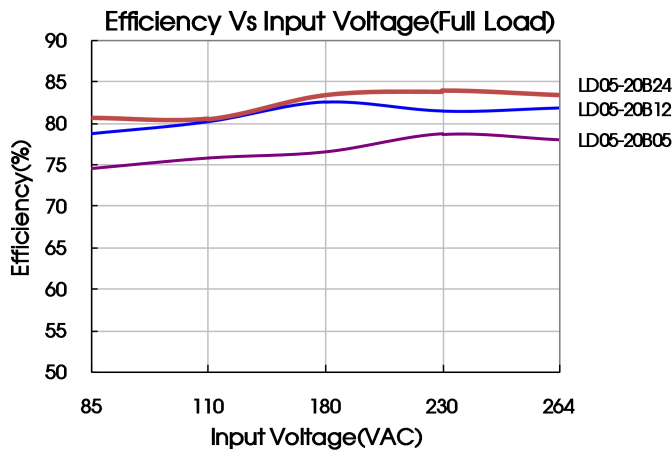
EMC Specifications

EMI	CE	CISPR22/EN55022, CLASS B	
	RE	CISPR22/EN55022, CLASS B	
EMS	ESD	IEC/EN61000-4-2	±6KV/8KV perf. Criteria B
	RS	IEC/EN61000-4-3	10V/m perf. Criteria A
	EFT	IEC/EN 61000-4-4	±2KV perf. Criteria B
		IEC/EN 61000-4-4	±4KV (See Fig. 2 for recommended circuit) perf. Criteria B
	Surge	IEC/EN 61000-4-5	±1KV perf. Criteria B
		IEC/EN 61000-4-5	±2KV/±4KV (See Fig. 2 for recommended circuit) perf. Criteria B
	CS	IEC/EN61000-4-6	10Vr.m.s perf. Criteria A
	PFM	IEC/EN61000-4-8	10A/m perf. Criteria A
	Voltage dips, short interruptions and voltage variations immunity	IEC/EN61000-4-11	0%-70% perf. Criteria B

Product Characteristic Curve

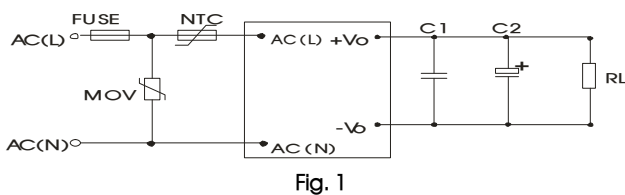


Note: ①When input 85~110VAC/240~264VAC/100~140VDC/340~370VDC, it need to be voltage derated on basis of temperature derating;
②This product is suitable for use in natural air cooling environments, if in a closed environment, please contact our company's FAE.



Design Reference

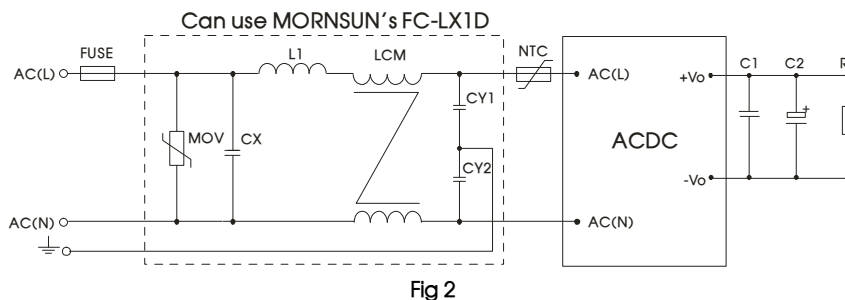
1. Typical application circuit



Model	C1(μF)	C2(μF)
LD05-20B03	1	220
LD05-20B05		220
LD05-20B09		100
LD05-20B12		100
LD05-20B15		100
LD05-20B24		47

Note:
Output filtering capacitor C2 is a electrolytic capacitor, it is recommended to use high frequency and low impedance electrolytic capacitor. For capacitance and current of capacitor please refer to manufacture's datasheet. Output capacitor withstand voltage derating should be 80% or above. C1 is ceramic capacitor, which is used to filter high-frequency noise. External input NTC is recommended to use 12D-5; External input MOV is recommended to use S14K350.

2. EMC solution-recommended circuit



EMC solution-recommended circuit PCB layout

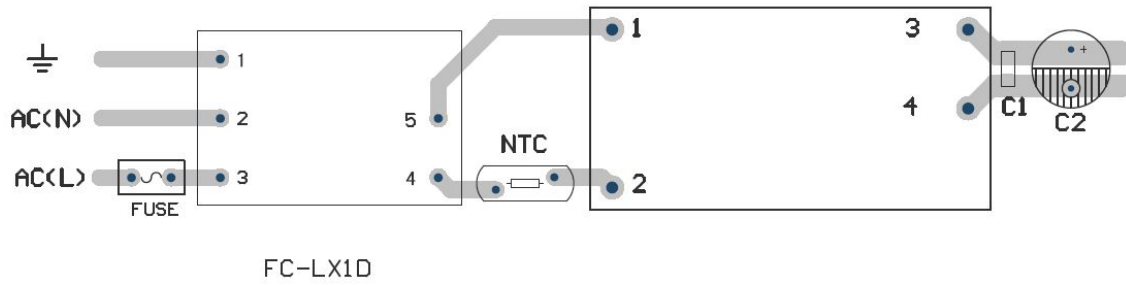


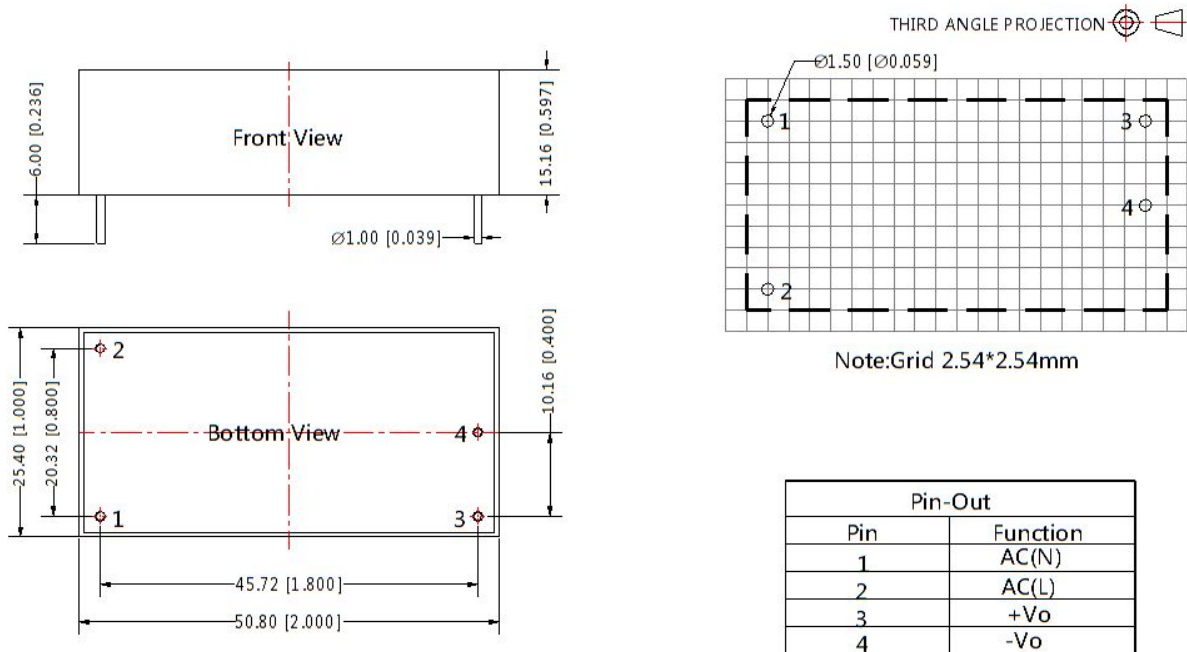
Fig 3

Note: Suggestions for safety regulation and wiring width: wire width $\geq 3\text{mm}$, distance between wires $\geq 6\text{mm}$, and distance between wire and ground $\geq 6\text{mm}$

Element model	Recommended value
MOV	S14K350
CX	0.1 μF /275VAC
L1	4.7 μH /2.0A
CY1	1nF/400VAC
CY2	1nF /400VAC
LCM	2.2mH, recommended to use MORNSUN's FL2D-10-222
FUSE	1A/250V, slow fusing, necessary

3.For more information about Mornsun EMC Filter products, please visit www.mornsun-power.com to download the Selection Guide of EMC Filter

Dimensions and Recommended Layout

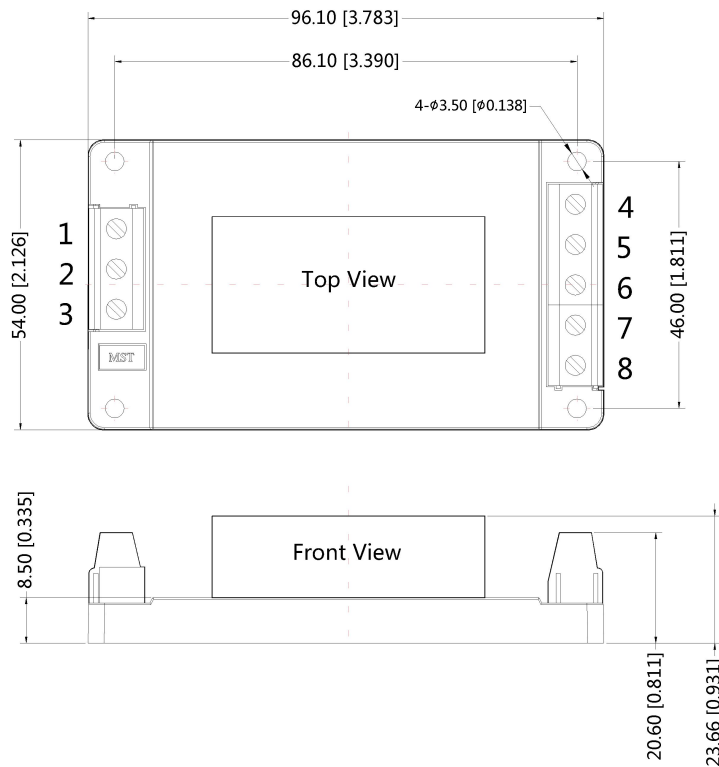


Note:
Unit :mm[inch]
Pin diameter tolerances : $\pm 0.10[\pm 0.004]$
General tolerances: $\pm 0.50[\pm 0.020]$

Pin-Out	
Pin	Function
1	AC(N)
2	AC(L)
3	+Vo
4	-Vo

LD05-20BxxA2 Chassis mounting Dimensions

THIRD ANGLE PROJECTION ☉ ◀

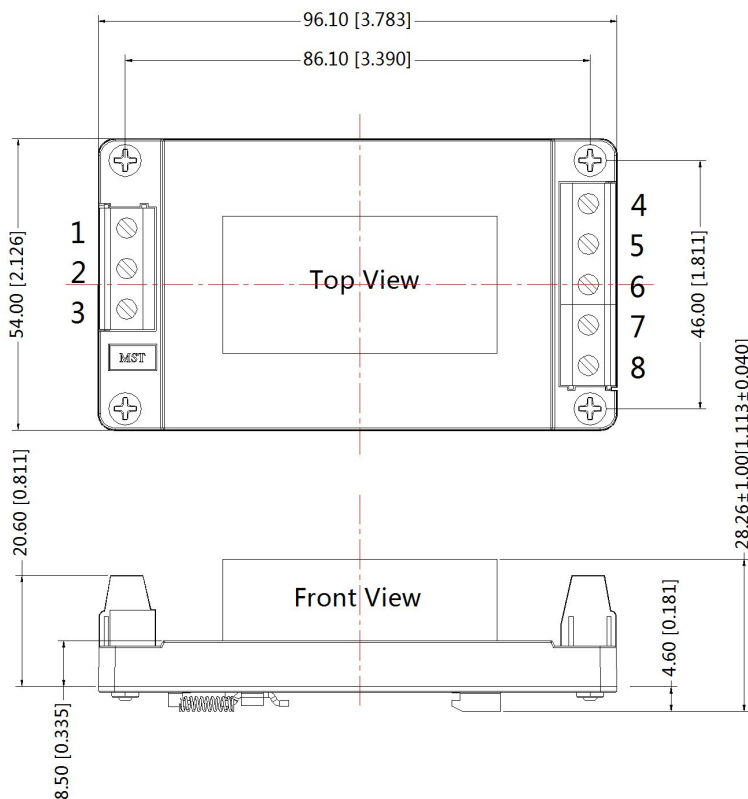


Pin	Function
1	NC
2	AC(N)
3	AC(L)
4	+Vo
5	NC
6	-Vo
7	NC
8	NC

Note:
Unit:mm[inch]
Wire range : 24~12 AWG
General tolerances:±0.50[±0.020]

LD05-20BxxA4 Din-Rail mounting Dimensions

THIRD ANGLE PROJECTION ☉ ◀

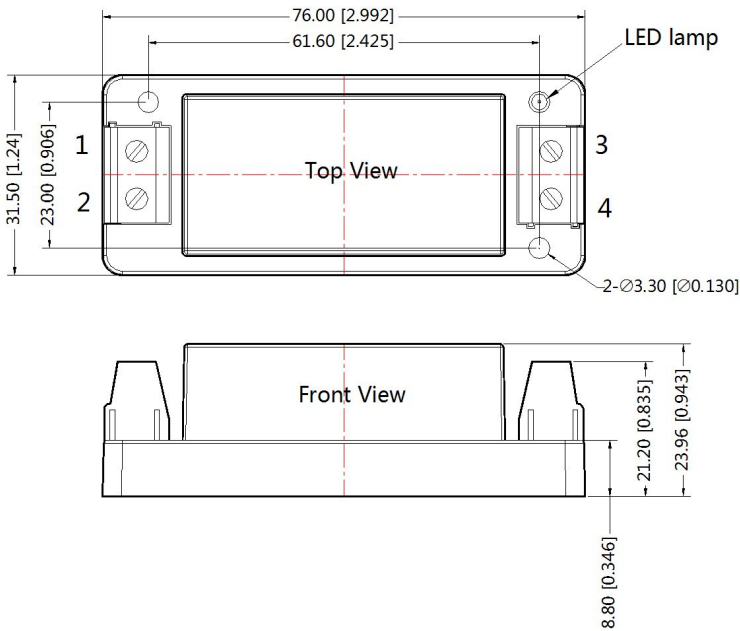


Pin-Out	
Pin	Function
1	NC
2	AC(N)
3	AC(L)
4	+Vo
5	NC
6	-Vo
7	NC
8	NC

Note:
Unit:mm[inch]
Wire range : 24~12 AWG
Installed on DIN RAIL TS35
General tolerances:±0.50[±0.020]

LD05-20BxxA2S Chassis mounting Dimensions

THIRD ANGLE PROJECTION

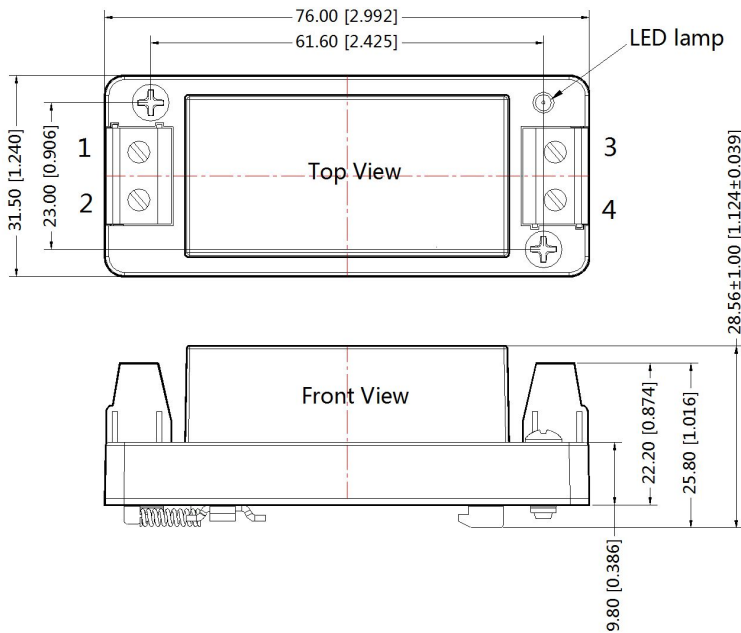


Pin-Out	
Pin	Function
1	AC(N)
2	AC(L)
3	+Vo
4	-Vo

Note:
Unit:mm[inch]
Wire range : 24~12 AWG
General tolerances:±0.50[±0.020]

LD05-20BxxA4S Din-Rail mounting Dimensions

THIRD ANGLE PROJECTION



Pin-Out	
Pin	Function
1	AC(N)
2	AC(L)
3	+Vo
4	-Vo

Note:
Unit:mm[inch]
Wire range : 24~12 AWG
Installed on DIN RAIL TS35
General tolerances:±0.50[±0.020]

Notes:

1. Packing information please refer to Product Packing Information which can be downloaded from www.mornsun-power.com. Packing bag number: 58220003(Horizontal package), 58220022(A2S/A4S package), 58220010(A2/A4 package);
2. If the product is not operated within the required load range, the product performance cannot be guaranteed to comply with all parameters in the datasheet;
3. Unless otherwise specified, parameters in this datasheet were measured under the conditions of $T_a=25\text{ }^{\circ}\text{C}$, humidity<75% with nominal input voltage and rated output load;
4. All index testing methods in this datasheet are based on our Company's corporate standards;
5. The performance parameters of the product models listed in this manual are as above, but some parameters of non-standard model products may exceed the requirements mentioned above. Please contact our technicians directly for specific information;
6. We can provide product customization service;
7. Specifications are subject to change without prior notice.

MORNSUN Guangzhou Science & Technology Co., Ltd.

Address: No. 5, Kehui St. 1, Kehui Development Center, Science Ave., Guangzhou Science City, Luogang District, Guangzhou, P. R. China
Tel: 86-20-38601850-8801 Fax: 86-20-38601272 E-mail: info@mornsun.cn