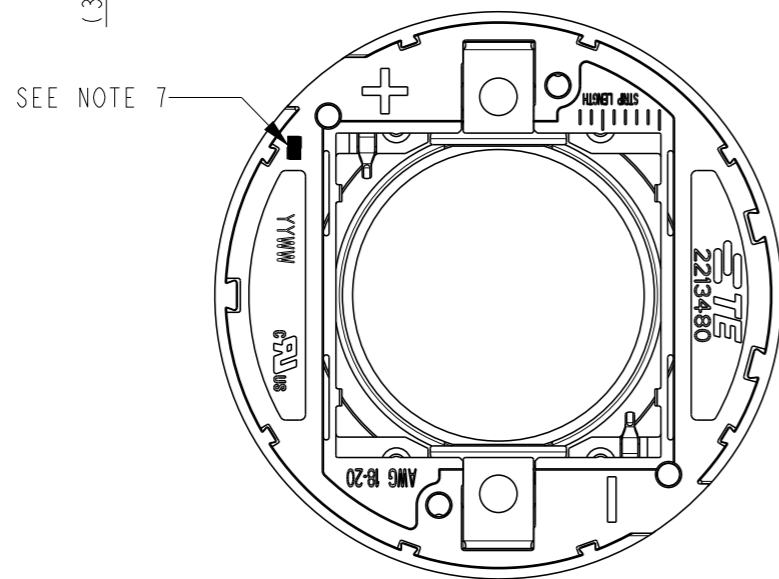
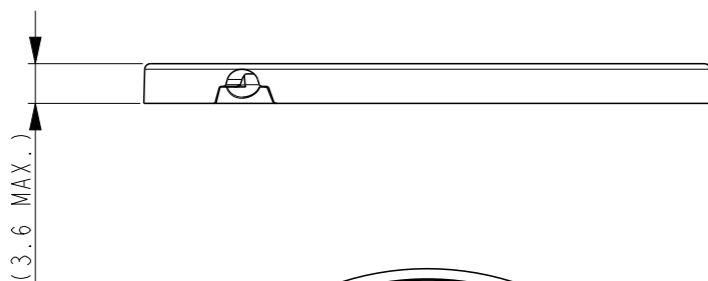
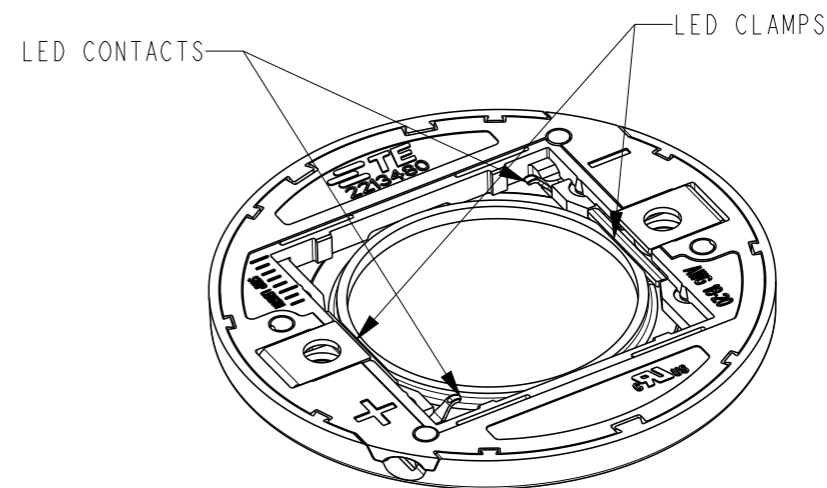
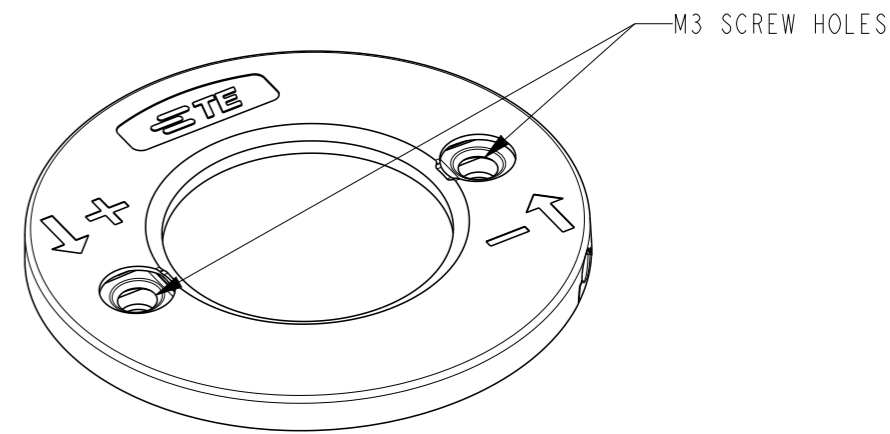
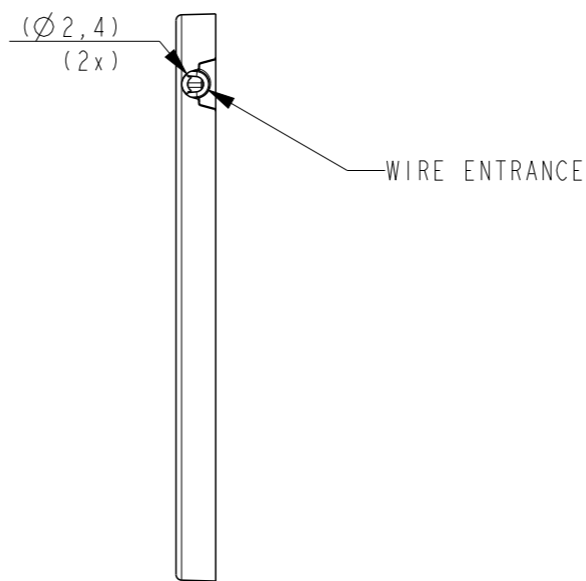
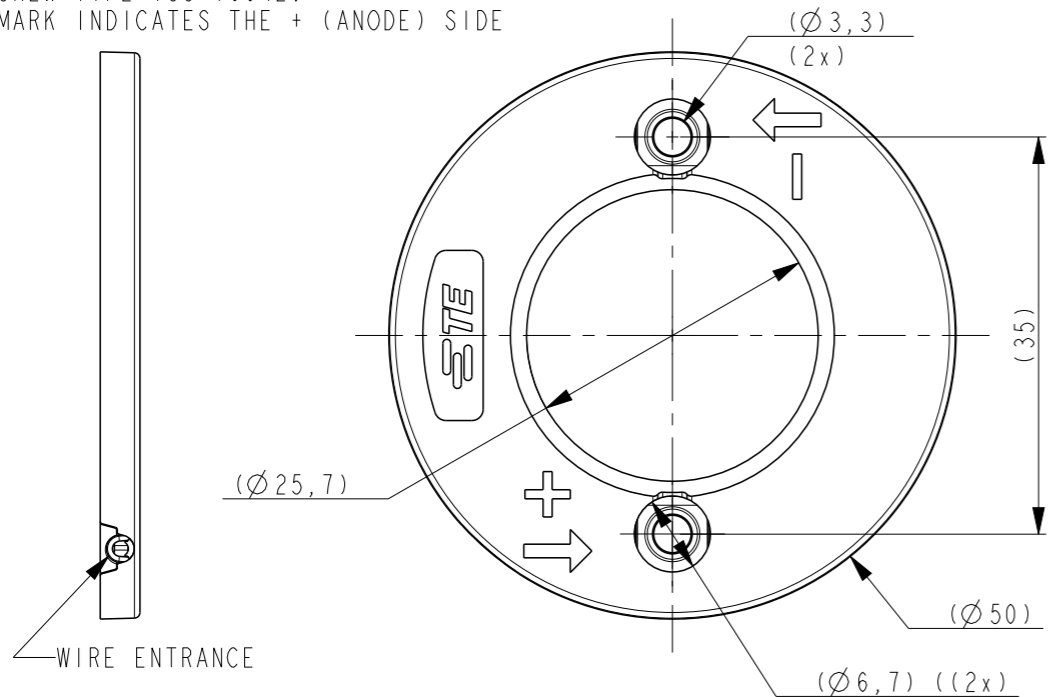


THIS DRAWING IS UNPUBLISHED. RELEASED FOR PUBLICATION
 © COPYRIGHT - BY TYCO ELECTRONICS CORPORATION. ALL RIGHTS RESERVED.

LOC	DIST	REVISIONS				
P	LTR	DESCRIPTION	DATE	DWN	APVD	
H	-	A	ECR-15-001589	03FEB2015	KR	OL


NOTES:

- MATERIALS:
HOUSING: GLASS FILLED PBT, HALOGEN FREE FLAME RETARDANT
COLOR : WHITE
CONTACTS: GOLD PLATED COPPER ALLOY
- FOR WIRE TYPES AWG 18 AND 20 AWG.
- COMPLIES WITH DIRECTIVE 2002/95/EC (ROHS)
- WIRE STRIP LENGTH: 7-8 mm
- MAX. WIRE INSULATION OUTER DIAM.: $\varnothing 2.3\text{mm}$.
- RECOMMENDED SCREW TORQUE: 0.4 - 0.6 Nm.
- IN ORDER TO CREATE A FLAT OPTIC LANDING ZONE ON HOLDER A COUNTERSUNK SCREW CAN BE USED, I.E. SCREW-TYPE ISO 10642.
- BLACK MARK INDICATES THE + (ANODE) SIDE



PART NO	DESCRIPTION	PACKAGING
1-2213480-1	Z50 LED HOLDER 2828	2x10 PIECES IN TRAY AND BOX 25 BOXES IN SHIPPING BOX
2213480-2	LUMAWISE Z50 LED holder 2727 general	2x5 PIECES IN TRAY 56 TRAYS IN SHIPPING BOX
2213480-1	LUMAWISE Z50 LED holder 2828 general	2x5 PIECES IN TRAY 56 TRAYS IN SHIPPING BOX

THIS DRAWING IS A CONTROLLED DOCUMENT.

DIMENSIONS: mm	TOLERANCES UNLESS OTHERWISE SPECIFIED: 0 PLC ±- 1 PLC ±- 2 PLC ±- 3 PLC ±- 4 PLC ±- ANGLES ±- FINISH -	DWN 08APRIL2014 P. POORTER CHK 08APRIL2014 O. LEIJNSE APVD 08APRIL2014 O. LEIJNSE PRODUCT SPEC 108-133018 APPLICATION SPEC 114-133019 WEIGHT -	 TE Connectivity NAME LUMAWISE Z50 high performance LED HOLDER SIZE A3 CAGE CODE 00779 DRAWING NO C-2213480 RESTRICTED TO -
-------------------	---	--	--

Customer Drawing SCALE 3:2 SHEET 1 OF 3 REV A

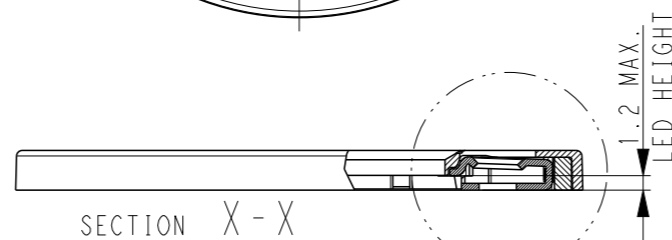
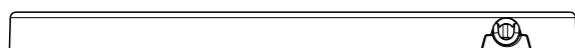
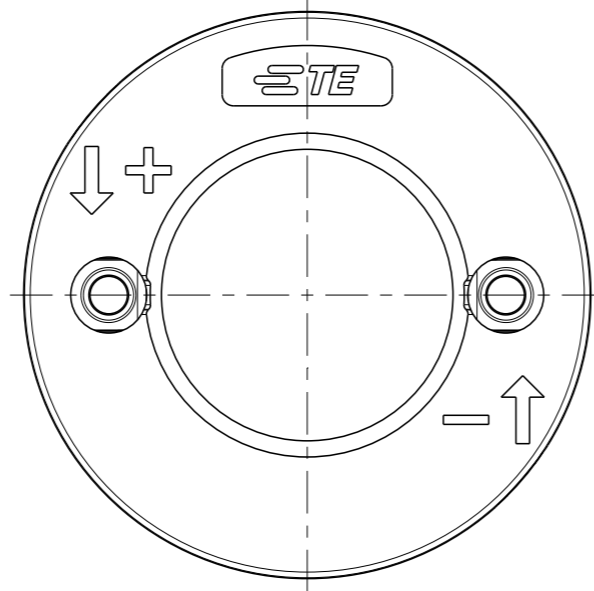
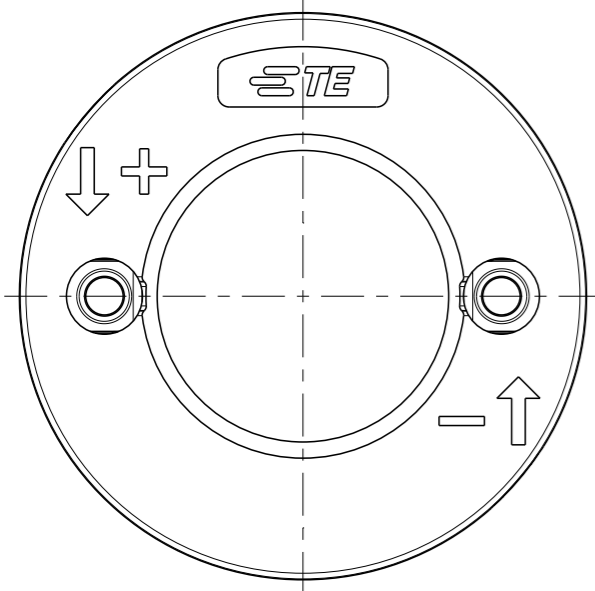
THIS DRAWING IS UNPUBLISHED. RELEASED FOR PUBLICATION

© COPYRIGHT - BY TYCO ELECTRONICS CORPORATION. ALL RIGHTS RESERVED.

LOC	DIST	REVISIONS			
P	LTR	DESCRIPTION	DATE	DWN	APVD
H	-	SEE SHEET 1	-	-	-

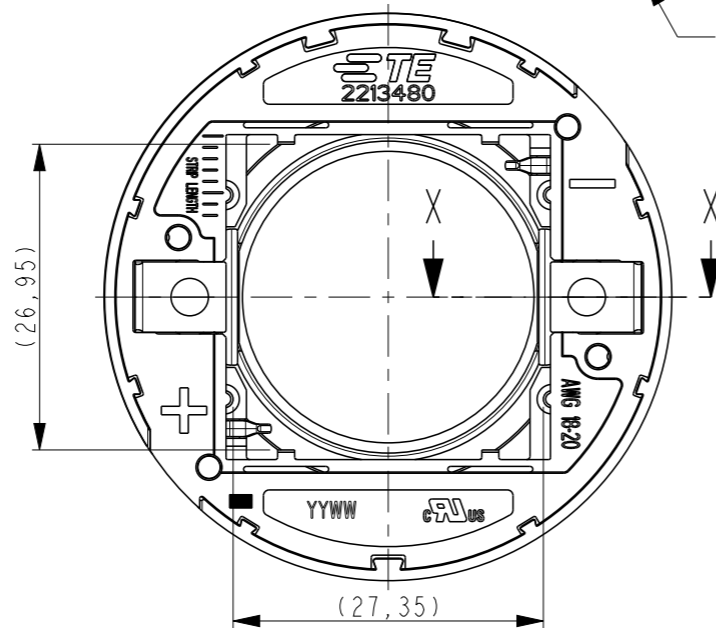
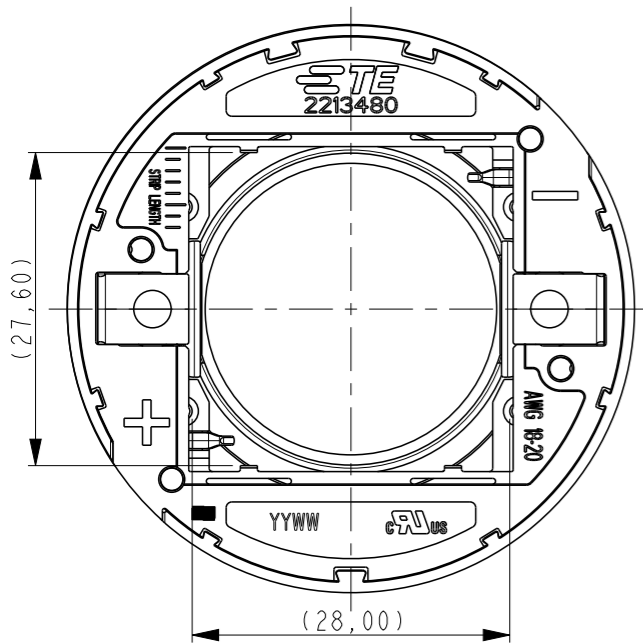
2213480-1 AS SHOWN

2213480-2 AS SHOWN

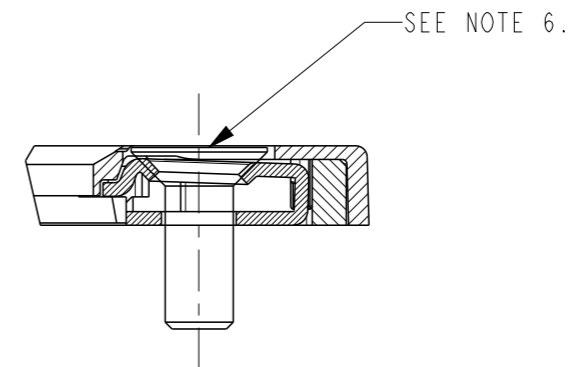


SECTION X - X

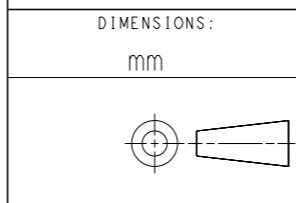
SEE DETAIL A



DETAIL A
SCALE 3:1



THIS DRAWING IS A CONTROLLED DOCUMENT.



MATERIAL -

DIMENSIONS:	TOLERANCES UNLESS OTHERWISE SPECIFIED:
mm	
0 PLC	±-
1 PLC	±-
2 PLC	±-
3 PLC	±-
4 PLC	±-
ANGLES	±-
FINISH	-

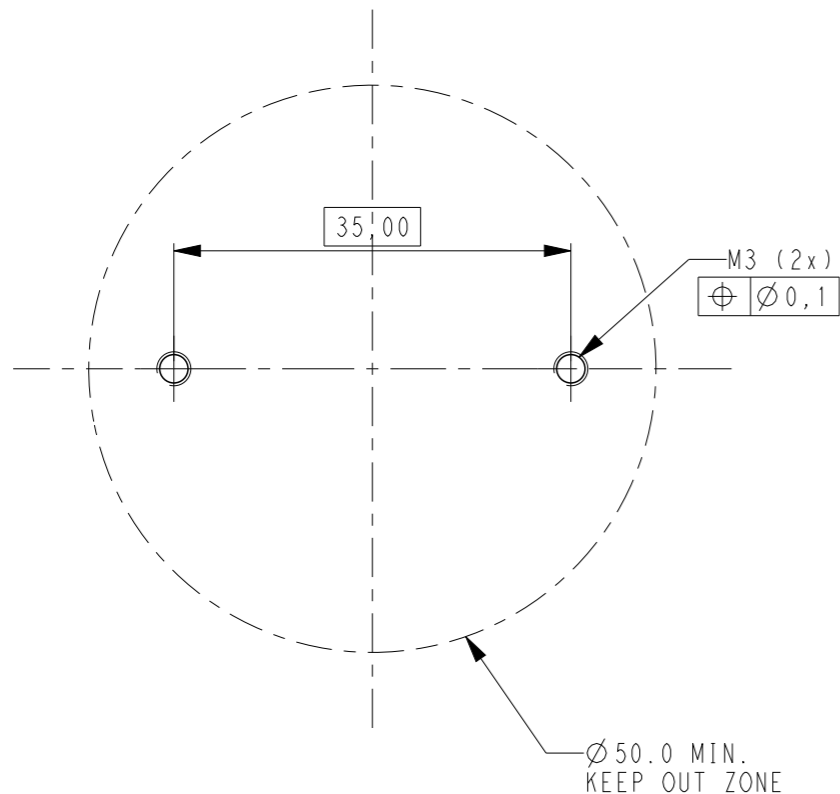
DWN	08APRIL2014
P. POORTER	
CHK	08APRIL2014
O. LEIJNSE	
APVD	08APRIL2014
O. LEIJNSE	
PRODUCT SPEC	108-133018
APPLICATION SPEC	-
WEIGHT	-

		TE Connectivity			
		NAME			
LUMAWISE Z50 high performance LED HOLDER		SIZE	CAGE CODE	DRAWING NO	RESTRICTED TO
-		A3	00779	C-2213480	-
Customer Drawing		SCALE	SHEET	OF	REV
		3:2	2	3	A

THIS DRAWING IS UNPUBLISHED. RELEASED FOR PUBLICATION
 © COPYRIGHT - BY TYCO ELECTRONICS CORPORATION. ALL RIGHTS RESERVED.

LOC	DIST	REVISIONS					
		P	LTR	DESCRIPTION	DATE	DWN	APVD
H	-		-	SEE SHEET 1	-	-	-

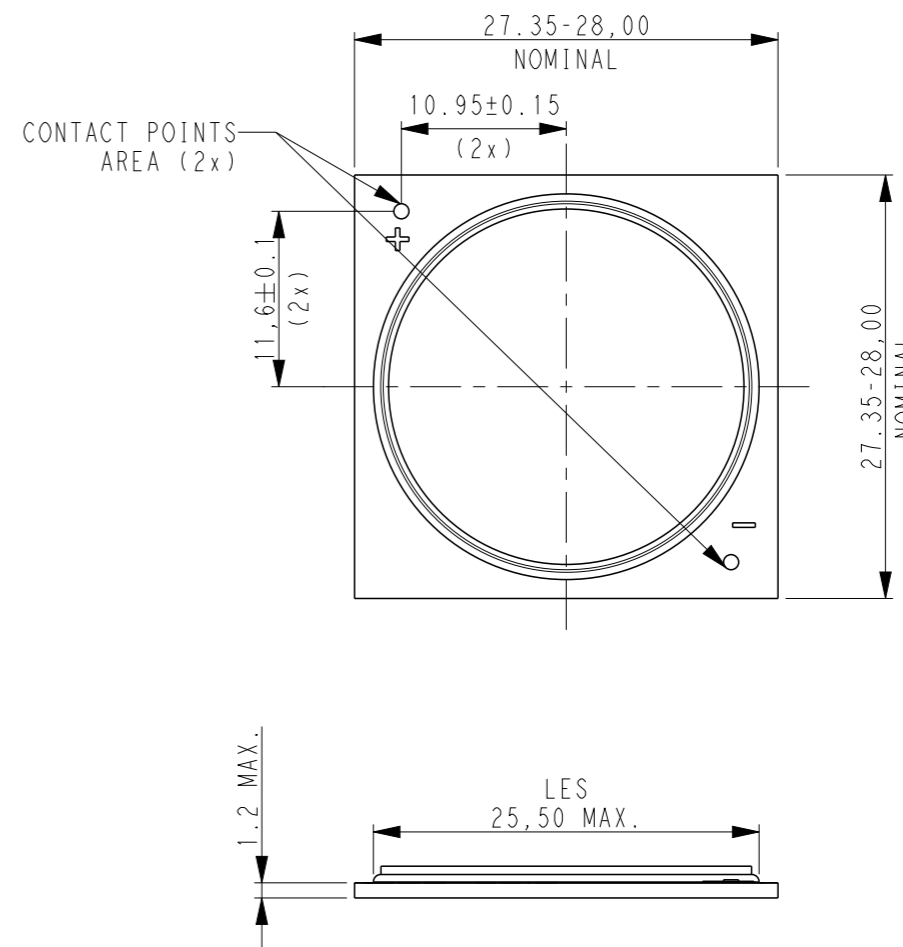
RECOMMENDED DRILLING HOLE PATTERN:



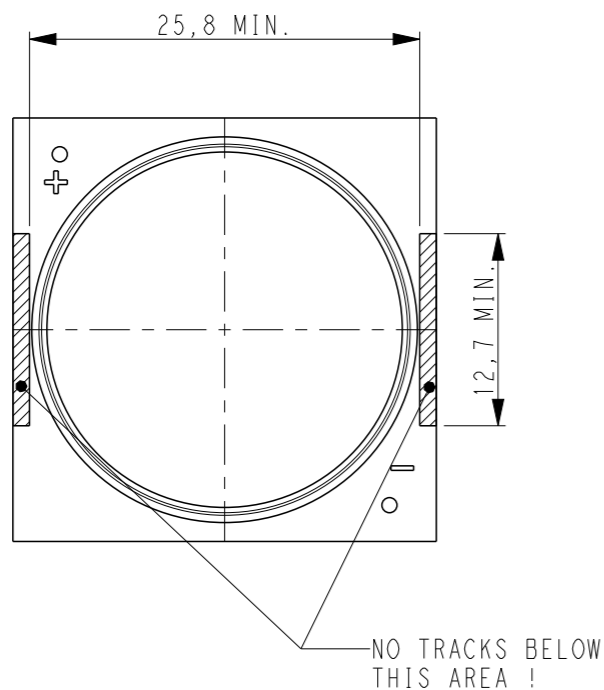
NOMINAL LED INFO:


THE SKETCH BELOW IS SHOWING THE NOMINAL LED COB DIMENSIONS TO MATCH WITH THE Z50 LED HOLDER 2828

FOR TECHNICAL DETAILS ABOUT A PROPER MATCH WITH A SPECIFIC LED COB ARRAY PLEASE CONTACT A REPRESENTATIVE AT TE-CONNECTIVITY



RECOMMENDED KEEP OUT AREA FOR CLAMPING:



THIS DRAWING IS A CONTROLLED DOCUMENT.		DWN 08APRIL2014 P. POORTER	 TE Connectivity	
DIMENSIONS: mm		CHK 08APRIL2014 O. LEIJNSE		
TOLERANCES UNLESS OTHERWISE SPECIFIED:		APVD 08APRIL2014 O. LEIJNSE	PRODUCT SPEC 108-133018	RESTRICTED TO
0 PLC ±- 1 PLC ±- 2 PLC ±- 3 PLC ±- 4 PLC ±- ANGLES ±-		APPLICATION SPEC -	SIZE A3	CAGE CODE 00779
MATERIAL -		FINISH -	DRAWING NO C-2213480	SCALE 3:2
		WEIGHT -	SHEET 3 OF 3	REV A
		Customer Drawing		