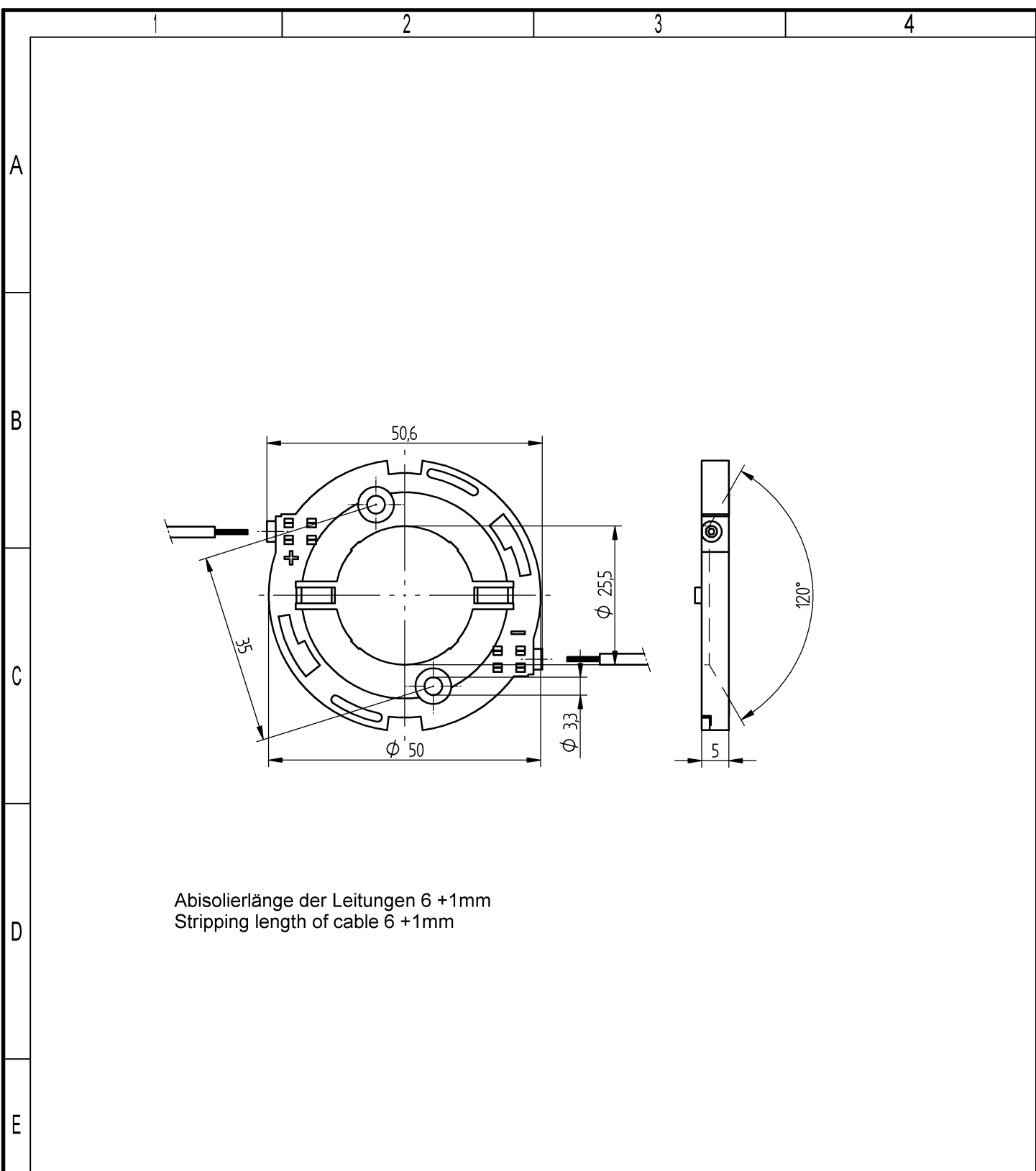


IDNR 01T-A0R-04 (QW) - Giacosa, Iris Mo 19.11.12 12:01:57 - Kopie vom Mo 19.11.12 12:13:11 - Skalierung 1.0000



Nur zur Information / Only for information
 Zeichnung wird bei Änderung nicht ausgetauscht / Drawing will not be replaced when change is made
 Original vom / Date of Original: Mo 19.11.12 12:01:57
 Kopie vom / Date of Copy: Mo 19.11.12 12:13:11

Werkstoff / Material: -
 Freimaßtoleranzen / General Tolerances: -
 Kunststoff / Plastic: DIN 16901 Gr.130 B
 Keramik / Ceramics: DIN 40680-m
 Metall / Metal: ISO 2768-m (<0,5 = ±0,1)
 Maßstab / Scale: 1:1
 Alle Maße in Millimeter / All dimensions in millimetres
 projection method:

BJB GmbH & Co. KG
 D-59755 Arnsberg (Neheim)
 Werler Str.1
 Tel.: +49 (2932) 982-0

 FuE

-	-	-	-	-	-	-	-	-	-	
-	-	-	-	-	-	-	-	-	-	
-	-	-	-	-	-	-	-	-	-	
-	-	-	-	-	-	-	-	-	-	
-	-	-	-	-	-	-	-	-	-	
-	-	-	-	-	-	-	-	-	-	
Index	Anz. / Stack	Anw.Nr.	Änderung / Change				Datum / Date	Name		
	Datum / Date	Name	Benennung / Title: Katalogzeichnung / Catalogue drawing							
Bearb. / By	16.11.12	Giacosa	Anschlusselement ϕ 50mm connector without ADS Citizen CL-L040							
Copyright note ISO 16016 The reproduction, distribution and utilization of this document as well as the communication of its contents to others without express authorization is prohibited. Offenders will be held liable for the payment of damages. All rights reserved in the event of the grant of a patent, utility model or design.			Zeichnung Nr. / Part No. 47.319.2030							
P-KA			3D-Geom. 01T-A0R-03.par				ID.Nr.	01T-A0R-04.dft		
ES.f / Revisions	-									