

Description

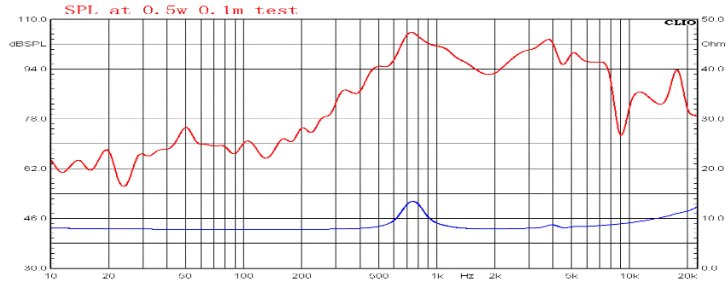
Chinasound Micro Speaker 28mm diameter, Round frame, 7mm height - 8 ohm rated impedance, NdFeB magnet, 0.5W rated power -type PI cone, 700 Hz rated frequency, RoHS compliant

- ◆ RoHS complaint
- ◆ Water-proof
- ◆ Small size

Picture



Frequency Response Curve tested by CLIO



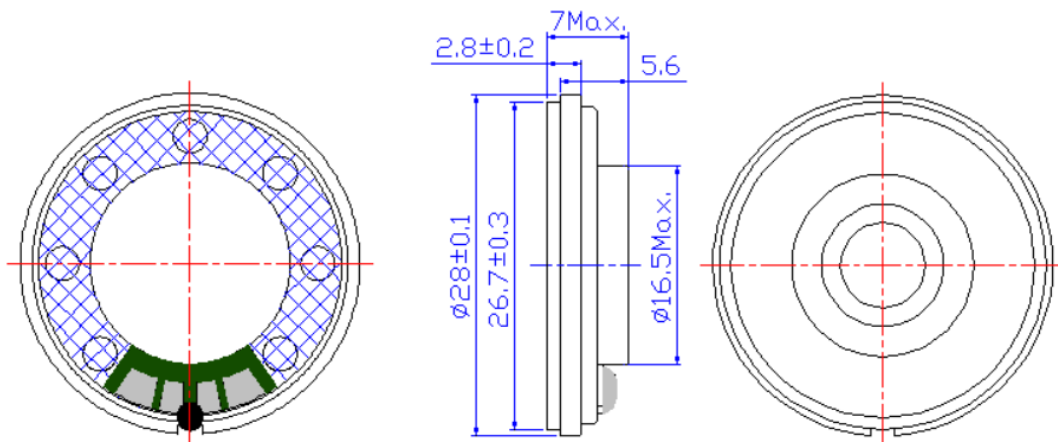
Specification

Rated Impedance	8+/-15% ohm														
Rated Power	0.5W														
Max. Power	1.0 W														
Resonant Frequency	700+/-20%														
Frequency Range	fo ~ 8,000 Hz														
Sound Pressure Level	100+/-3 dB 0.5W 10cm (Average of SPL values at 800, 1000, 1200 & 1500 Hz.)														
Operating Temperature	-40 to +105														
Storage Temperature	-40 to +110														
Termination	PCB														
Construction Materials	<table border="0"> <tr> <td>Description</td> <td>PCB</td> </tr> <tr> <td>Case</td> <td>Metal, Zn plated</td> </tr> <tr> <td>Diaphragm</td> <td>Black Mylar</td> </tr> </table>	Description	PCB	Case	Metal, Zn plated	Diaphragm	Black Mylar								
Description	PCB														
Case	Metal, Zn plated														
Diaphragm	Black Mylar														
Weight (Typical)	9.2 g														
Reliability	<table border="0"> <tr> <td>*Buzzes & Rattles</td> <td>Must be normal at 0.5W (=2 Vrms) sine wave</td> </tr> <tr> <td>*Load Test</td> <td>0.5W white noise for 96hrs</td> </tr> <tr> <td>*High Temperature</td> <td>no function at +110 +/-2 °C for 96 hours, function at +105+/-2 °C for 96 hours,</td> </tr> <tr> <td>*Low Temperature</td> <td>no function at -40+/-2 °C for 96 hours, function at -40+/-2 °C for 16 hours,</td> </tr> <tr> <td>*Humidity</td> <td>+40+/-2°C, 90 ~ 95% R.H. for 48hrs</td> </tr> <tr> <td>*Thermal Shock</td> <td>-30+/-2 °C, 30min→+20 °C,15min,→+70+/-2 °C, 30min→+20 °C,15min, 5 cycles</td> </tr> <tr> <td>*Vibration</td> <td>1.5mm with 10 to 50Hz of vibration frequency to each of 3 perpendicular direction for 2 hrs</td> </tr> </table>	*Buzzes & Rattles	Must be normal at 0.5W (=2 Vrms) sine wave	*Load Test	0.5W white noise for 96hrs	*High Temperature	no function at +110 +/-2 °C for 96 hours, function at +105+/-2 °C for 96 hours,	*Low Temperature	no function at -40+/-2 °C for 96 hours, function at -40+/-2 °C for 16 hours,	*Humidity	+40+/-2°C, 90 ~ 95% R.H. for 48hrs	*Thermal Shock	-30+/-2 °C, 30min→+20 °C,15min,→+70+/-2 °C, 30min→+20 °C,15min, 5 cycles	*Vibration	1.5mm with 10 to 50Hz of vibration frequency to each of 3 perpendicular direction for 2 hrs
*Buzzes & Rattles	Must be normal at 0.5W (=2 Vrms) sine wave														
*Load Test	0.5W white noise for 96hrs														
*High Temperature	no function at +110 +/-2 °C for 96 hours, function at +105+/-2 °C for 96 hours,														
*Low Temperature	no function at -40+/-2 °C for 96 hours, function at -40+/-2 °C for 16 hours,														
*Humidity	+40+/-2°C, 90 ~ 95% R.H. for 48hrs														
*Thermal Shock	-30+/-2 °C, 30min→+20 °C,15min,→+70+/-2 °C, 30min→+20 °C,15min, 5 cycles														
*Vibration	1.5mm with 10 to 50Hz of vibration frequency to each of 3 perpendicular direction for 2 hrs														

Warranty

* All specifications must be satisfied after the test (Recovery:2 to 4 hrs of recovery under the standard condition after the removal from test chamber).
 **90% min. soldering pads shall be with solder.(except the edge of pad)

Dimensions (Unit: mm)



Any changes to this specification must be approved in writing by engineering prior to change

Revisions History

Version Number	Description	Name	Date
SP1.10.098-A0	Original, CMS28R7-8N0.5-P700R	Chrissy Deng	2018-03-05

Composed by: Chrissy D/180305

Checked by: James Z /180305

Approved by: William W/180305

ChinaSound

CHANGZHOU CHINASOUND ELECTRONICS CO., LTD.

Tel: +86-519-86182518 Fax: +86-519-86182519

<http://www.chinasound.com>

email: market@chinasound.com