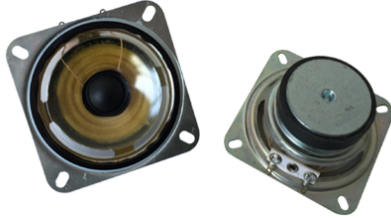


Description

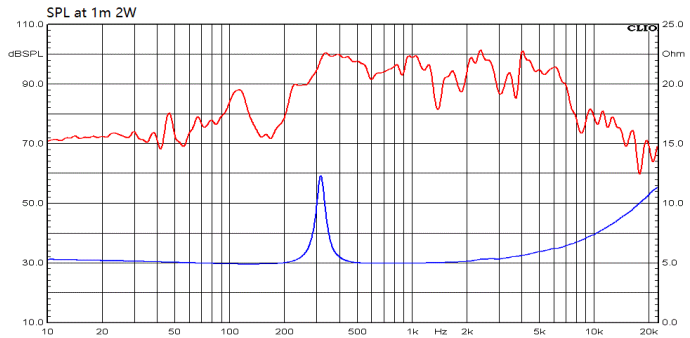
Chinasound Loudspeaker 70mm diameter, Square metal frame, 34.8mm height – 4Ohm, Ferrite, 2W – PEI cone, 300 Hz, RoHS compliant

- ◆ RoHS compliant
- ◆ Water-proof

Picture



Frequency Response Curve Tested by CLIO



Specification

- Rated Impedance
- Rated Power
- Max. Power
- Resonant Frequency
- Frequency Range
- Sound Pressure Level
- Distortion
- Operating Temperature
- Storage Temperature
- Termination
- Construction Materials

- 4+/-15% ohm
- 2 W
- 4 W
- 300+/-20% Hz
- fo ~ 10,000 Hz
- 96+/-3dB 2W 1m (Average of SPL values at 800 1,000 1,200 & 1,500 Hz.)
- 5% Max. at 1kHz
- 40 °C to +85 °C
- 40 °C to +85 °C

Description
Case
Diaphragm

- 2 soldering lugs
- Steel, Zn plated
- PEI cone
- 120g
- Must be normal at 2.83V(=2W) sine wave
- 2W white noise for 96hrs
- no function at +85 +/-2 °C for 96 hours, function at +74+/-2 °C for 16 hours,
- no function at -30+/-2 °C for 96 hours, function at -20+/-2 °C for 16 hours,
- +40+/-2 °C, 90 ~ 95% R.H. for 48hrs
- 30+/-2 °C, 30min -> +20 °C, 15min, -> +85+/-2 °C, 30min -> +20 °C, 15min, 5 cycles
- 350+/-5 °C iron put on soldering lugs for 3+/-1 seconds
- Soldering lugs are soldered by iron 350+/-5 °C for 3+/-0.5 seconds.

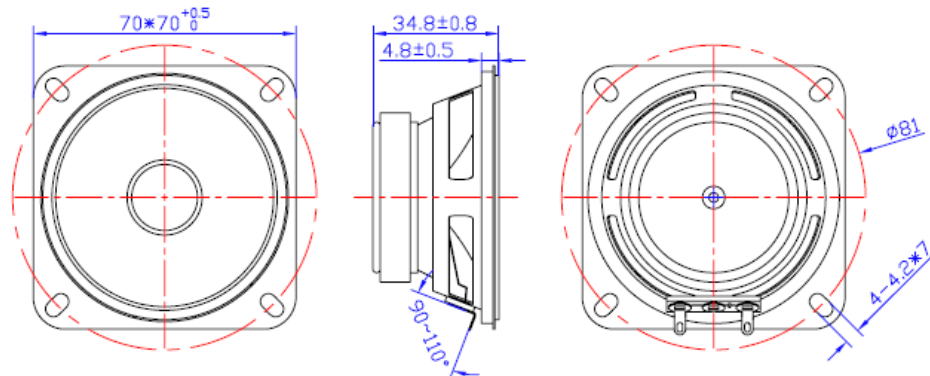
Weight (Typical)
Reliability

- *Buzzes & Rattles
- *Load Test
- *High Temperature
- *Low Temperature
- *Humidity
- *Thermal Shock
- *Soldering Heat Resistance
- **Solderability

Warranty

* All specifications must be satisfied after the test (Recovery:2 to 4 hrs of recovery under the standard condition after the removal from test chamber).
**90% min. soldering pads shall be with solder.(except the edge of pad)

Dimensions (Unit: mm, Tolerance: +/-0.5mm)



All specifications are subject to change without notice

Composed by: Eileen G/180522 Checked by: James Z, Jack G/180522 Approved by: William W /180522



CHANGZHOU CHINASOUND ELECTRONICS CO., LTD.
Tel: +86-519-86182518 Fax: +86-519-86182519
<http://www.chinasound.com>
email:market@chinasound.com

Revisions History

Version Number	Description	Name	Date
SP1.09.128-A0	Original, CLS70S34.8-4F2-E300R	Eileen Guan	2017-06-23
SP1.09.128-A1	Add the Distortion.	Eileen Guan	2018-05-22

Composed by: Eileen G/180522 Checked by: James Z, Jack G/180522 Approved by: William W /180522



CHANGZHOU CHINASOUND ELECTRONICS CO., LTD.

Tel: +86-519-86182518 Fax: +86-519-86182519

<http://www.chinasound.com>

[email:market@chinasound.com](mailto:market@chinasound.com)