



# PRODUCT DATASHEET

## ANGELA series

last update 4/2/2016

### DETAILS

<b>Product Number</b>	C13658_CLAMP-VERO13-18
<b>Family</b>	ANGELA
<b>Type</b>	Base part
<b>Color</b>	white
<b>Diameter</b>	50 mm
<b>Height</b>	9,25 mm
<b>Style</b>	round
<b>Optic Material</b>	
<b>Holder Material</b>	PC
<b>Fastening</b>	screw
<b>Status</b>	production ready
<b>ROHS Compliant</b>	Yes
<b>Date Updated</b>	4/02/2016

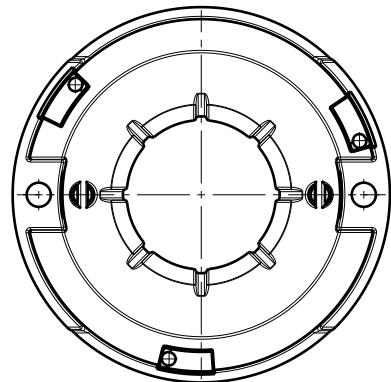


### OPTICAL PROPERTIES

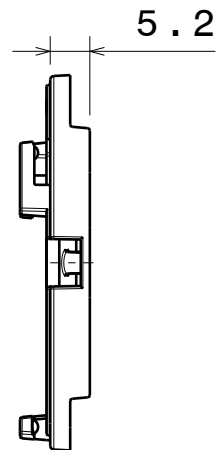
LED	Viewing Angle	Light Beam	Efficiency	cd/lm	Connector
VERO13	N/A deg		-	sim: 0.000	-
VERO18	N/A deg		-	sim: 0.000	-

INDEX	PART NO	DESCRIPTION	MATERIAL
1	C13658	CLAMP-VERO13_18	PC WHITE

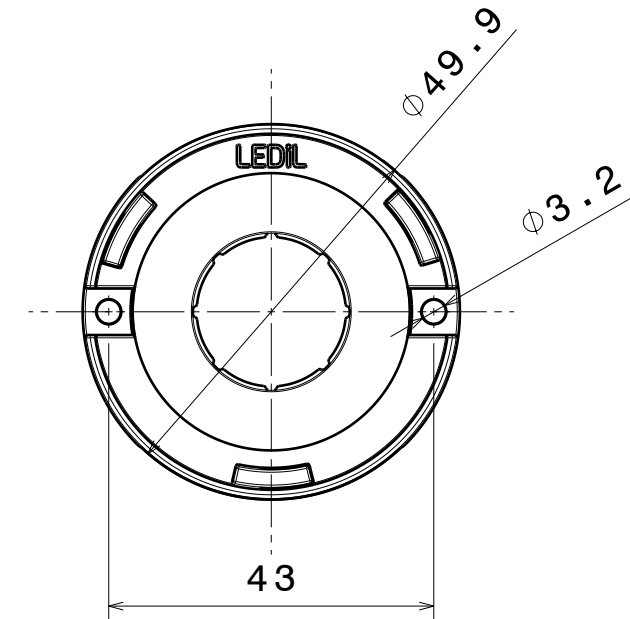
Rear view  
Scale: 1:1



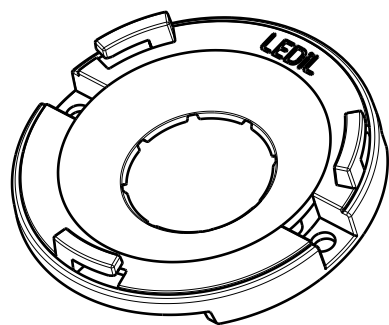
Right view  
Scale: 1:1



Front view  
Scale: 1:1



Isometric view  
Scale: 1:1



This drawing is our property.  
It can't be reproduced  
or communicated without  
our written agreement.



Ledil Oy  
Salorankatu 10  
FIN 24240 SALO  
Finland

DRAWN BY	DATE
-	27.2.2013
CHECKED BY	DATE
-	-
DESIGNED BY	DATE
PL	-

DRAWING TITLE		Part Drawing	
DATASHEET C13658 CLAMP-VERO13 18			
SIZE	PART NUMBER	REV	
A3	C13658	001	
SCALE	1:1	WEIGHT	3,5g
SHEET		1/1	

**NOTE: The typical divergence will be changed by different color, chip size and chip position tolerance. The typical total divergence is the full angle measured where the luminous intensity is half of the peak value.**

### **GENERAL INFORMATION**

- Product series especially designed & optimized for series of LEDs.
- Special care taken to make light distribution as uniform as possible.

Note! Due to use of high power COB's with this product, special attention to proper thermal design is highly recommended. LEDiL has no liability for direct, indirect or consecutive damages arising from the LEDiL products being used outside of the recommended temperature range.