



浙江宝龙机电有限公司

ZHEJIANG BAOLONG M&E CO.,LTD.

承认书

APPROVAL SHEET

客户信息	客户名称 Customer	
	客户代码 Customer Code	
	项目名称 Project Name	
	料号 Part Number	
	客户承认签章 Customer Approval & Signatures	

宝龙机电	产品名称 Product Name	Z 向线性马达 Z axis linear vibration motor				
	产品型号 Product Model	BLM0832-X10-U				
	设计 Design	童小东 Tong Xiaodong	审核 Check	徐建辉 Xu Jianhui	批准 Approval	兰德福 Lan Defu

地址:中国浙江省乐清市宁康东路 388 号

ADD:No.388, Ningkang East Road, Yueqing City, Zhejiang Province, China

邮政编码/POST CODE: 325600

电话/PHONE: 0577-62578888

传真/FAX: 0577-62574808

网址 1/WEB 1: [HTTP://WWW.BAOLONG.COM](http://www.baolong.com)

网址 2/WEB 2: [HTTP://WWW.VIBRATIONMOTORS.COM](http://www.vibrationmotors.com)

邮箱/E-mail: BLJSB@BAOLONG.COM

Contact me: sales@baolong.com, +86-0577-62572888

产品规格书/Specifications	日期/Date :2019-08-23	
振动电机/Vibration motor: BLM0832-X10-U	页码/Page: 2 / 11	版本/Version:A0

- 目录/List -

封面/Cover	1/12
目录/Contents	2/12
更改记录/Revision History	3/12
1.适用范围/Scope of Application	4/12
2.使用条件/Standard operating condition	4/12
3.测试条件/Testing condition	5/12
4.特 性/Characteristics	5/12-6/12
5.可靠性试验/Reliability Test	7/12
判定标准/ Judging standard	8/12
6.使用注意事项/Caution	9/12
7.环保要求/Environmental protection Requirements	10/12
8.马达外形图/Vibration Outside View	11/12
9.包装/Packaging	12/12

更改记录/ Revision History

版本 Version	编制 Prepare	批准 Approval	更改详情 Detail Spec Changes	日期 Date
A0	童小东	兰德福	初始规格/Preliminary spec	2019-8-23



产品规格书/Specifications	日期/Date :2019-08-23	
振动电机/Vibration motor: BLM0832-X10-U	页码/Page: 4 / 11	版本/Version:A0

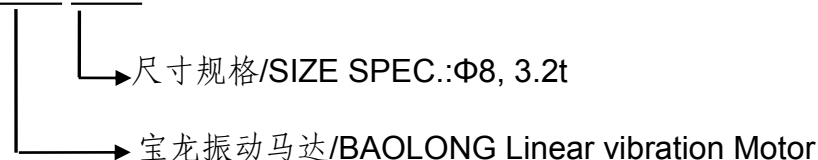
1.适用范围/Scope Of Application

本规格书适用于浙江宝龙机电有限公司制造的应用于移动电话的振动马达。

This datasheet is applied for vibration motor, which is manufactured by Zhejiang Baolong M&E Co., Ltd.for mobile phone.

型号名称标准/Standard of model name:

BLM 0832



2.使用条件/Standard Operating Condition

NO.	项目/Item	规格/Specifications
2-1	额定电压 Rated voltage	1.8Vrms AC, Sine wave
2-2	使用电压范围 Operating voltage range	0.1 ~ 1.85Vrms AC
2-3	振动方向 Direction of vibration	Z axis
2-4	额定工作频率 Rated operating Frequency	235Hz
2-5	使用温度范围 Operating temperature range	-20℃~+60℃, Ordinary Humidity:65±20%RH
2-6	保存环境温度范围 Storage temperature range	-30℃~+70℃, Ordinary Humidity:65±20%RH

产品规格书/Specifications	日期/Date :2019-08-23	
振动电机/Vibration motor: BLM0832-X10-U	页码/Page: 5 / 11	版本/Version:A0

3.标准的测试条件/ Standard Testing Condition

NO.	项目/Item	规格/Specifications
3-1	温度 Temperature	25°C±3
3-2	湿度 Humidity	45% ~85%RH
3-3	电源电压 Power Supply, Voltage Source	1.8±0.05Vrms AC, Sine ave
3-4	工作频率 Operational Frequency	235±7 Hz

4.特性/Electrical Characteristic

NO.	项目/Item	规格/SPEC.	条件/Condition
4-1	额定电流/ Rated Current	MAX.90mArms	Standard Testing condition
4-2	F0 点的振动量/ Acceleration	1.0Grms Min	Standard Testing condition, 100g dummy JIG
4-3	阻抗/ Resistance	22.5±10%Ω	Standard Testing condition
4-4	频率特性/ Frequency Characteristics	235±7 HZ Refer To Figure 1 (参考图形 1)	Standard Testing condition
4-5	上升时间/ Rise Time	Max 50msec	Standard Testing condition 0-50% normal Acceleration
4-6	下降时间/ Filling Time	Max 80msec	Standard Testing condition 100%-50% normal Acceleration
4-7	重量/ Weight	1.0±0.1 g	Standard Testing condition
4-8	马达声音/ Mechanical Noise	Max.50dB(A) Refer To Figure 2 (参考图形 2)	10cm distance from microphone, Standard Testing condition
4-9	绝缘电阻/ Insulation Resistance	Min.10 MΩ	100V DC input, between Case and Lead Wire or PCB

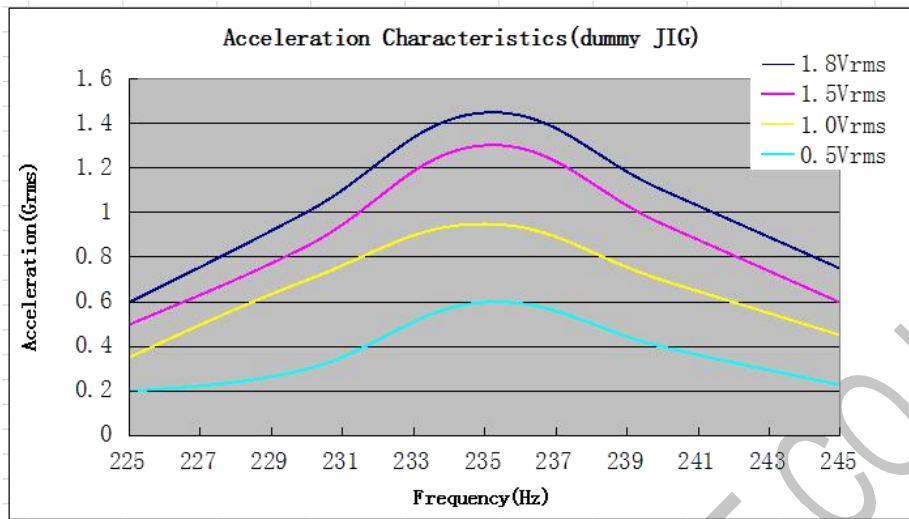
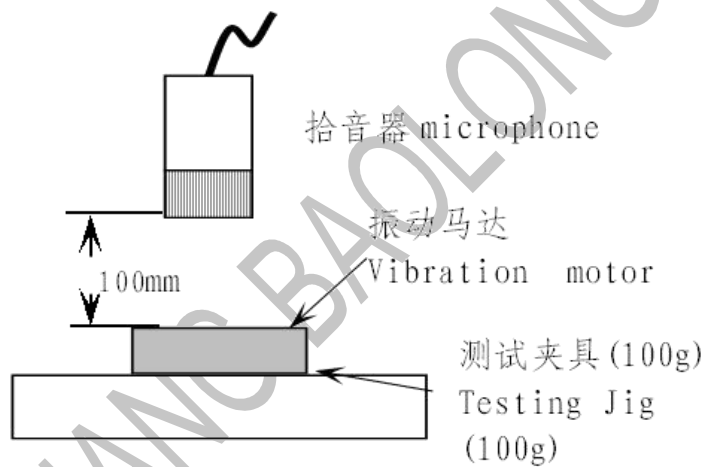


Figure 1: Linear Vibrator Frequency Characteristics/频率特性

* Standard Testing condition

* The equipment model : BK2120C



马达：被固定/Motor : be fixed

背景噪音： 28dB MAX.

Back ground noise: 28dB MAX.

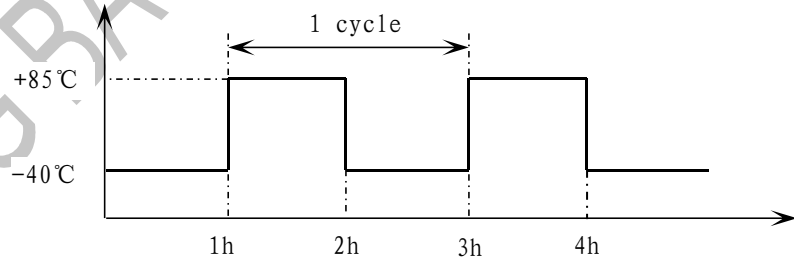
拾音器沿轴向正对电机平面

Microphone faces the plane of motor along the shaft

Figure 2: Noise measurement condition

产品规格书/Specifications	日期/Date :2019-08-23	
振动电机/Vibration motor: BLM0832-X10-U	页码/Page: 7 / 11	版本/Version:A0

5. 可靠性试验/Reliability Test

NO	项目/Item	条件/Condition
5-1	低温贮存试验 Low temperature Storage test	在-30℃的环境下放置168小时,然后在常温常湿下恢复4小时后测试。 Exposed at -30℃ for 168hours, then return to normal temperature and humidity for 4 hours before test.
5-2	高温贮存试验 High temperature Storage test	在+70℃的环境下放置168小时,然后在常温常湿下恢复4小时后测试。 Exposed at +70℃ for 168hours, then return to normal temperature and humidity for 4 hours before test.
5-3	高湿贮存试验 High humidity Storage test	在+55℃,95%RH的环境下放置120小时,然后在常温常湿下恢复4h后测试。 Exposed at +55℃ 95%RH for 120hours, then return to normal temperature and humidity for 4 hours before test.
5-4	温冲试验 Thermal shock test	<p>马达按照以下试验条件放置 15 个周期,然后在常温常湿下放置 4 小时后测试。 Confirmed to operating of motor during 15 cycles as following test condition, then return to normal temperature and humidity for 4 hours before test.</p> <p>试验条件/Test condition:</p>  <p>高低温转换时间: ≤5分钟 Transfer time between high temperature and low temperature:≤5min</p>
5-5	跌落 Drop test	将马达固定在150g的塑料夹具上,从1.5米的高度跌落到水泥地面上,六个面的每个面都跌落3次。 The motor that is attached to a 150g jig (plastic housing) and drop it onto the concrete floor from 1.5m height. Drop thrice in each of the six planes.

产品规格书/Specifications	日期/Date :2019-08-23	
振动电机/Vibration motor: BLM0832-X10-U	页码/Page: 8 / 11	版本/Version:A0

5-6	振动试验 Vibration test	<p>将马达固定在150g的塑料夹具上，按以下要求进行试验：</p> <p>1)扫频范围:10-55Hz 2)全振幅:1.5mm 3)扫频变化: 10-55-10 约10分钟 4)振动方向:三个垂直方向 5)持续时间:每个方向10分钟（共30分钟）</p> <p>The motor that is attached to a 150g jig (plastic housing) and test according following condition:</p> <p>1)Vibration frequency range: 10~55Hz 2)Total amplitude: 1.5mm 3)Sweep ratio: 10~55~10Hz approximate 10min 4)Direction of vibration: Three perpendicular directions 5)Duration: 10min (30min in total)</p>
5-7	寿命试验 Life test	<p>1.试验循环/Test cycle:500,000 cycle (cycle:2sec on/1sec off) 2.测试设备/Test equipment:寿命试验机/ Life time test machine 3.输入电压（1.8VrmsAC,Sine wave）,输入频率：235Hz Input Source 235Hz,1.8Vrms AC, Sine wave</p>

► 判定标准/Judgment standard

试验后，测试数据必须符合以下规格：

- 1.加速度、电阻、电流变化率：不得超过初始值的±30%
- 2.噪音：50dB Max
- 3.外形，结构方面无异常发生

After test, following specifications must be satisfied

- 1.The fluctuation of Acceleration, Resistance, Rated Current: initial Value±30%
- 2.Noise:50dB Max
- 3.There should be no abnormalities to happen in structure

产品规格书/Specifications	日期/Date :2019-08-23	
振动电机/Vibration motor: BLM0832-X10-U	页码/Page: 9 / 11	版本/Version:A0

6.注意事项/Caution

(1)该马达是微型精密产品，在运输过程或使用时要不要承受超过0.5 kgf的力，否则会引起外形或性能的变化。

As this motor is small and precise, do not press it over 0.5kgf force or while transportation or operation, it can cause the transformation of performance or external appearance.

(2) 请注意马达不要浸入到液体性物质中（比如：水，酒精等）

Please be careful, not to be drop into fluid substances (such as: water, alcohol etc.)

(3) 不要将马达长时间放置在高温或高湿下，否则有可能导致电机的性能下降。

Do not expose the motor to high temperature or high humidity for a long periods of time, it may cause a decline in performance.

(4) 马达不要靠近腐蚀性气体如H₂S、SO₂、NO₂等,否则会引起腐蚀。

Do not use near Corrosive gases(such as:H₂S、SO₂、NO₂ etc.), while cause erosion

(5) 请不要在靠近磁铁或带有磁场的仪器旁边使用或存放马达，否则有可能导致电机的性能下降。

Please do not operate or store the motor adjacent to magnet or apparatus that has a magnetic field, it may cause a decline in performance.

(6)为优化振动量,额定电压和频率可根据客户装配条件进行更改。

To optimize the vibration force, rated voltage and frequency could be changed as to customer assemble condition.

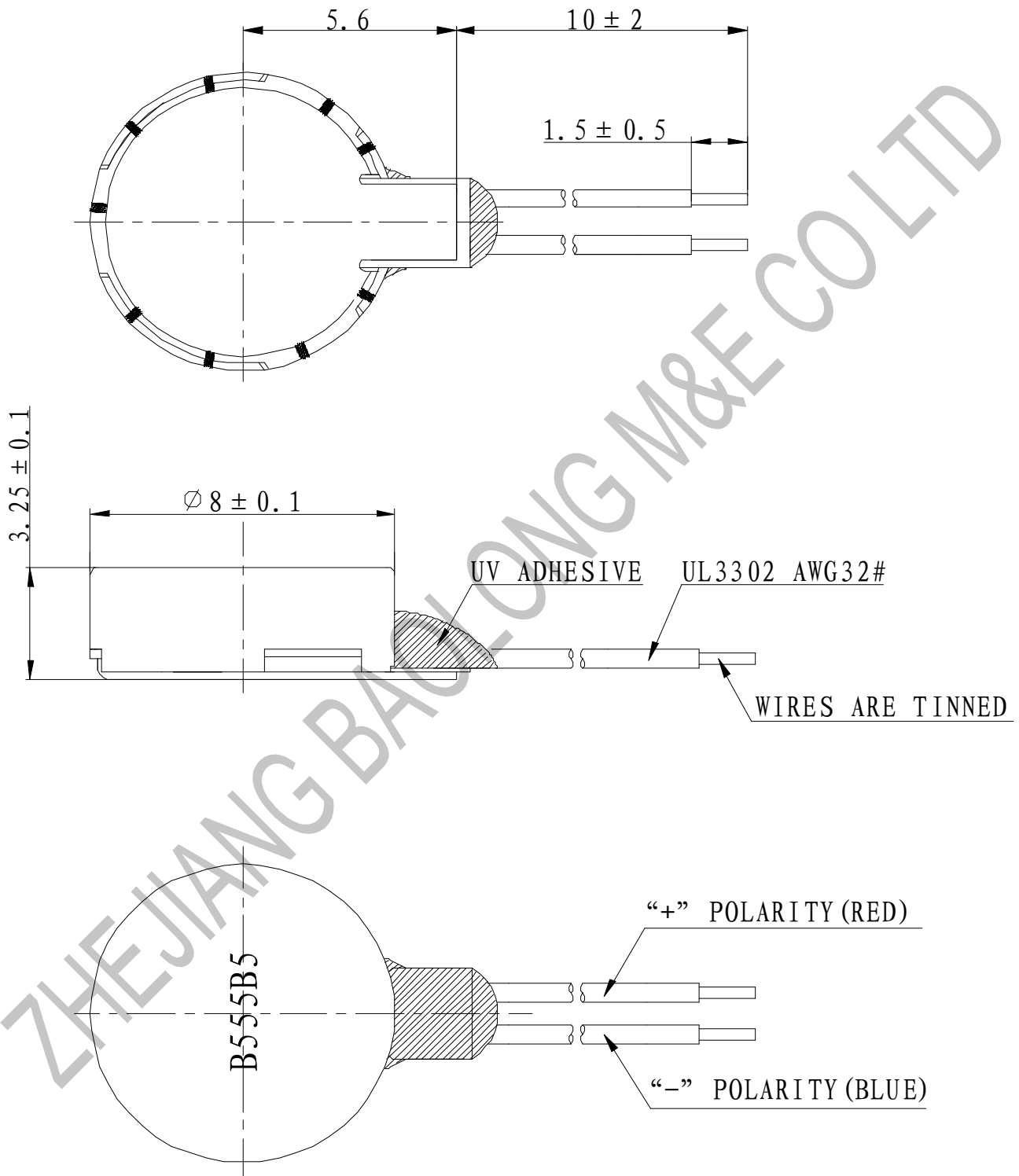
(7) 如有任何问题，宝龙和客户双方应共同努力解决。

If any problems occur, both the user and BAOLONG shall try to solve the problem.

(8)马达符合有关环境的法律和法规的要求（如ROHS2.0、REACH、H/F等）

The motor complies with relevant environmental laws and regulations (such as: ROHS2.0, REACH, H/F etc.)

7. 外形图/Outside View



8. 包装/Packaging



吸塑盒尺寸(长:250mm 宽:210mm
高:11mm)

Tray dimension (L:250mm W:210mm
H:11mm)

每个吸塑盒放 100 只

100 Pcs per tray



内箱尺寸(260mm 宽:215mm 高:80mm)

Inner-box dimension (L:260mm W:215mm
H:80mm)

每 11 个吸塑盒捆在一起,数量为 1000 只,
装入内箱

Put into inner-box 11 tray together
with tape 1000 Pcs per 11 tray .



4 个内箱装入外箱, 数量共 4000 只;

Put 4 inner-box into outer-box, total 4000
Pcs.

外箱尺寸: (450mm 宽:280mm 高:180mm)

Outer-box dimension:

(L:450mm W:280mm H:180mm)