

VECO VANSONIC ENTERPRISE CO., LTD.

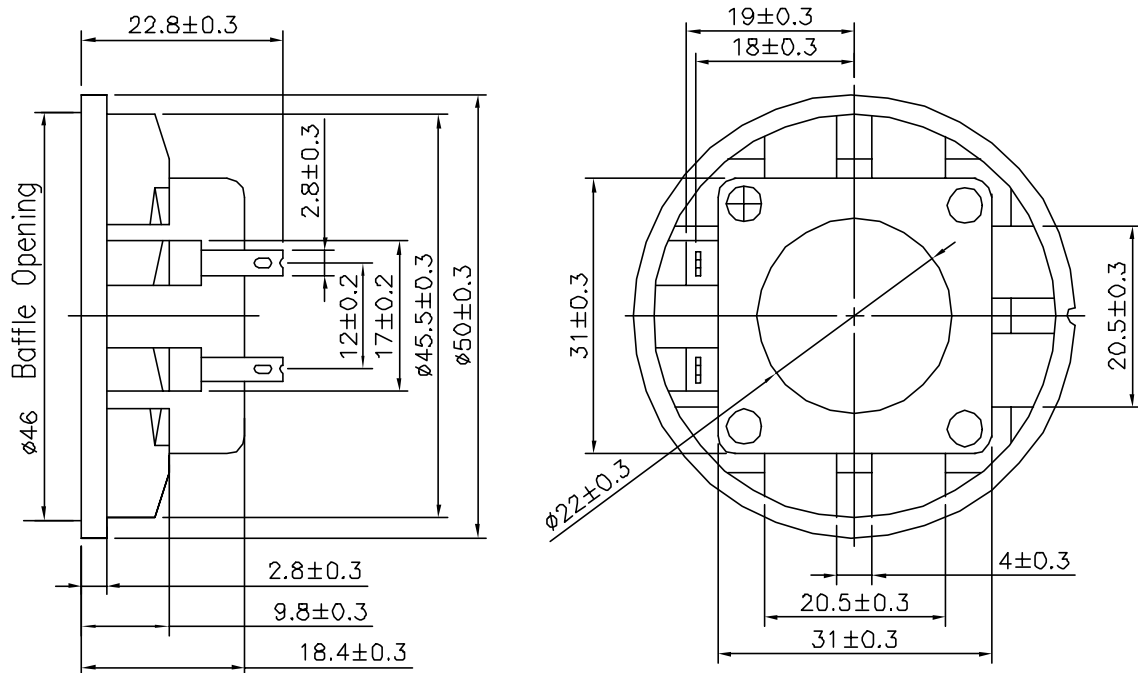
8F., No.7, Lane 16, Sec.2, Szechwan Road, Panchiao, Taipei Hsien, TAIWAN.

TEL: +886-2-29626335

FAX: +886-2-29625220

E-MAIL: VANSONIC@MS4.HINET.NET

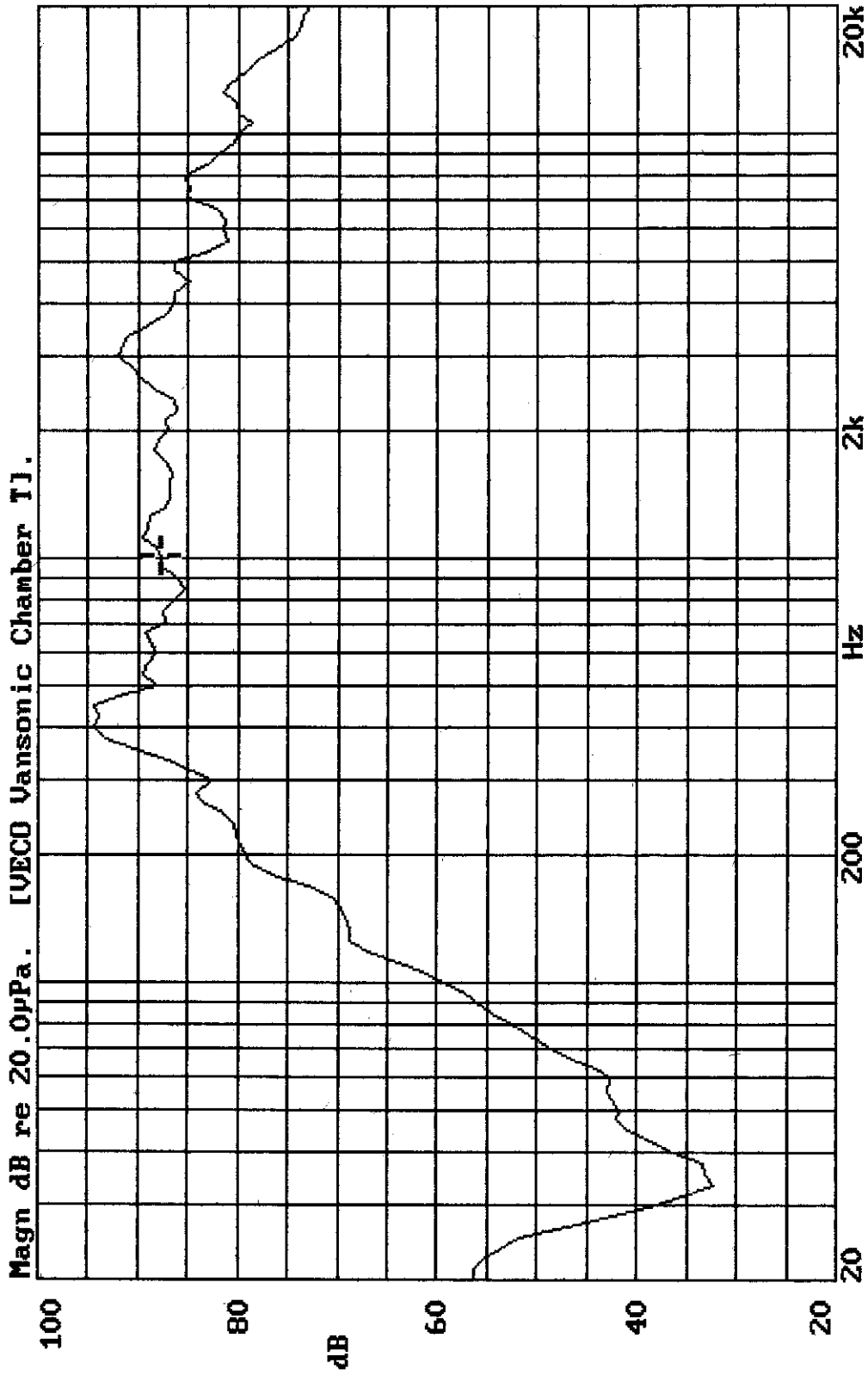
1.	MODEL:	50FL25GP			
2.	Dimension	Outer Diameter	50 mm.	Baffle Opening	46 mm.
		Height	Refer to Drawing	Weight	46.8 Grams.
3.	Magnet	Materials	Ferrite	Size	ϕ 29x ϕ 12.6x5 mm.
4.	Nominal Impedance	25	\pm	15 %	At 1500 Hz.
5.	Power Rating	Normal	400 mW.	Maximum	800 mW.
6.	Lowest Resonant Frequency	400	\pm	15 %	Hz.
7.	Output Sound Pressure Level (S.P.L.)	87	\pm	3 db / 0.4 Watt	0.5 Meter.
		Average at	800, 1000, 1200, 1500		Hz.
8.	Frequency Range	200	~	10000 Hz.	Average SPL - 10 db.
9.	Distortion	5 %	Maximum At	1000 Hz.	400 mW.
10.	Abnormal Sound Test	Must be Normal Tested By 3.2 Volts. Sine Wave.			
11.	Load Test	White Noise with Weighted Filter 3.2 Volts.(RMS) 24 Hrs.			
12.	Polarity	Diaphragm shall move Forward when Apply a Positive DC.			
		Current to the "+" or "Marked" Terminal.			



Unit : mm

Housing Material : ABS

50FL25GP VOL:3.162V(0.4W) DIS:0.5M VANSONIC
X:1.0000kHz *Y:87.66dB ZA:1.0000 SSR Fund.



23-APR-2001 14:44:36

Mode : SSR

