

# VECO VANSONIC ENTERPRISE CO., LTD.

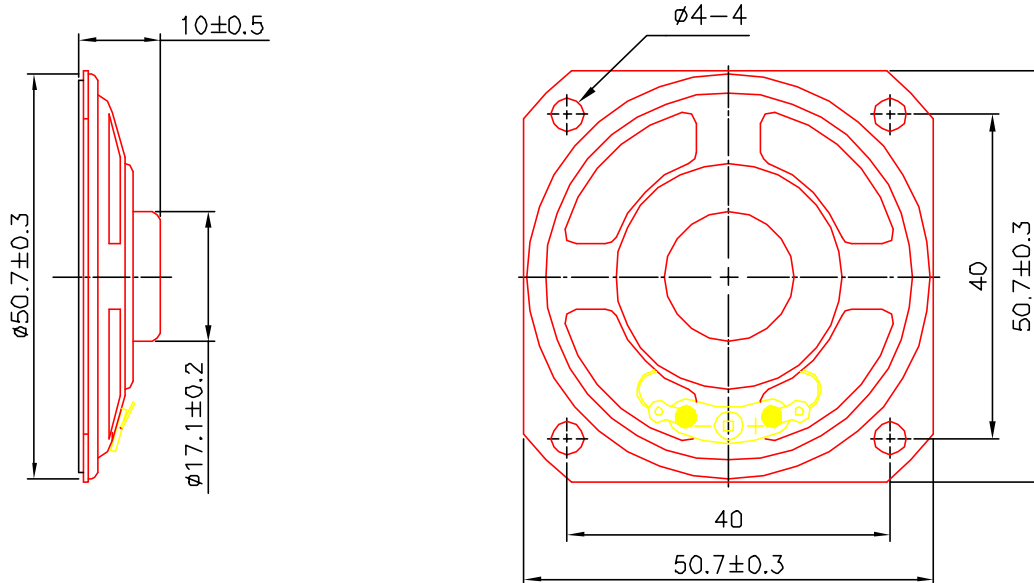
8F., No. 7, Lane 16, Sec. 2, Szechwan Road, Panchiao, Taipei Hsien, TAIWAN.

TEL: +886-2-29626335

FAX: +886-2-29625220

E-MAIL: vansonice@ms4.hinet.net

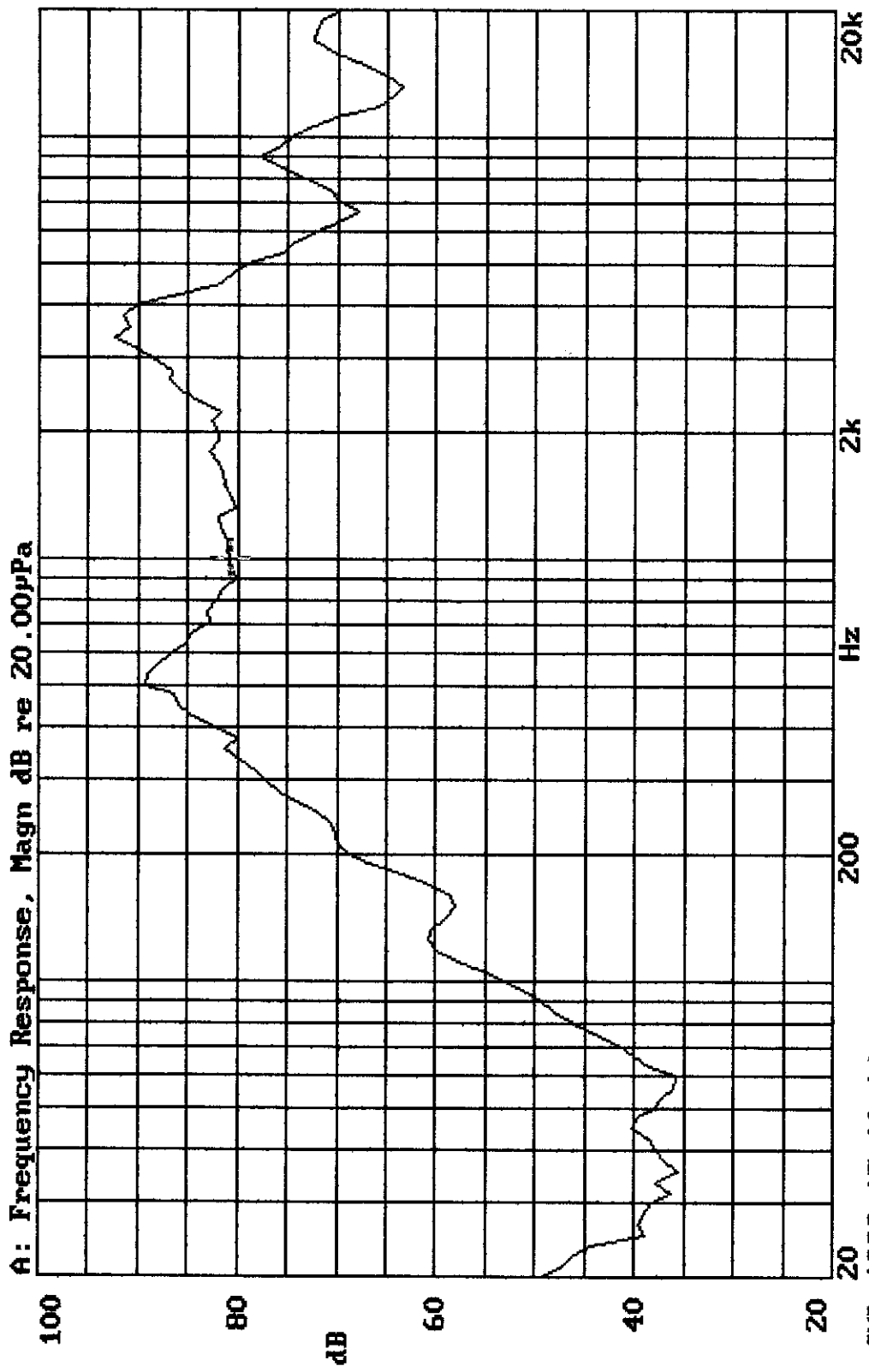
1.	<b>MODEL:</b>	<b>50CP08K</b>			
2.	Dimension	Outer Diameter	50 X 50 mm.	Baffle Opening	44.5 mm.
		Height	Refer to Drawing .	Weight	12.8 Grams.
3.	Magnet	Materials	Rare Earth .	Size	∅ 12.5X1.5 mm.
4.	Nominal Impedance	8	± 15 %	At	1200 Hz.
5.	Power Rating	Normal	300 mW.	Maximum	600 mW.
6.	Lowest Resonant Frequency	480	± 20 %		Hz.
7.	Output Sound Pressure Level (S.P.L.)	81	± 3 db / 0.3 Watt .	0.5 Meter.	
		Average at	800, 1000, 1200, 1500		Hz.
8.	Frequency Range	250	~ 6000 Hz.	Average SPL - 10 db.	
9.	Distortion	5 %	Maximum At	1000 Hz.	300 mW.
10.	Abnormal Sound Test	Must Be Normal Test By 1.6 Volts. Sine Wave.			
11.	Load Test	White Noise With Weighted Filter 1.6 Volts.(RMS) 24 Hrs.			
12.	Polarity	Diaphragm shall move Forward when Apply a Positive DC.			
		Current to the "+" or "Marked" Terminal.			



Unit : mm

Housing Material : METAL

50CP08K VOL:1.549V(0.3W) DIS:0.5M VANSOONIC  
X:1.0000kHz \*Y:80.87dB ZA:Live Curve SSR Fund.



06-JUL-1999 15:10:14

Mode: SSR

