

VECO VANSONIC ENTERPRISE CO., LTD.

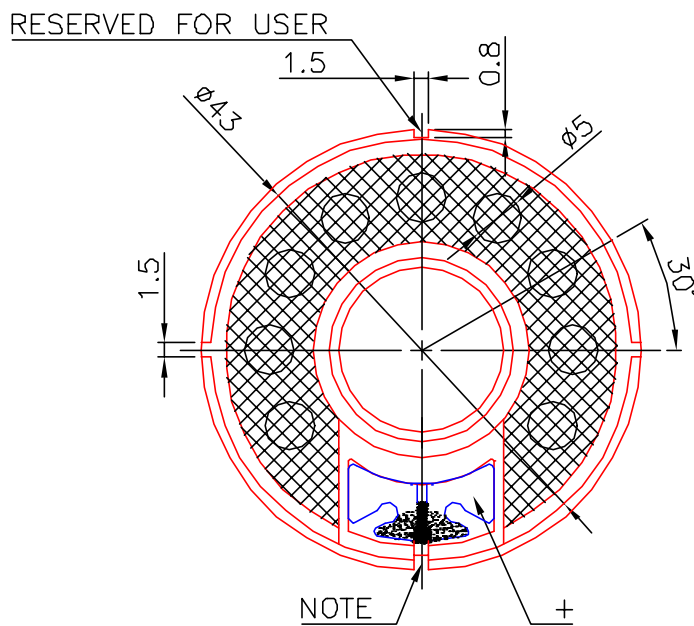
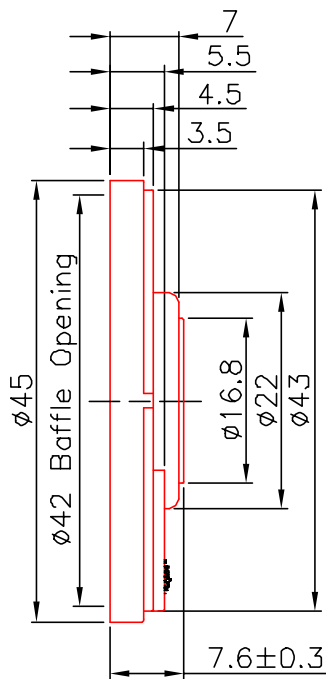
8F., No.7, Lane 16, Sec.2, Szechwan Road, Panchiao, Taipei Hsien, TAIWAN.

TEL: +886-2-29626335

FAX: +886-2-29625220

E-MAIL: VANSONIC@MS4.HINET.NET

1.	MODEL:	45CS08G -M75ND(Black Mylar)			
2.	Dimension	Outer Diameter	45 mm.	Baffle Opening	42 mm.
		Height	Refer to Drawing.	Weight	9.4 Grams.
3.	Magnet	Materials	Rare Earth	Size	∅ 12.5x1.5 mm.
4.	Nominal Impedance	8	± 15 %	At	1000 Hz.
5.	Power Rating	Normal	200 mW.	Maximum	400 mW.
6.	Lowest Resonant Frequency	350	± 20 %		Hz.
7.	Output Sound Pressure Level (S.P.L.)	82	± 3 db / 0.2 Watt	.0.5 Meter.	
		Average at	800, 1000, 1200, 1500	Hz.	
8.	Frequency Range	200	~ 8000 Hz.	Average SPL - 10 db.	
9.	Distortion	5 %	Maximum At	1000 Hz.	200 mW.
10.	Abnormal Sound Test	Must be Normal Tested By		1.3 Volts.	Sine Wave.
11.	Load Test	White Noise with Weighted Filter		1.3 Volts.(RMS)	24Hrs.
12.	Polarity	Diaphragm shall move Forward when Apply a Positive DC.			
		Current to the "+" or "Marked" Terminal.			

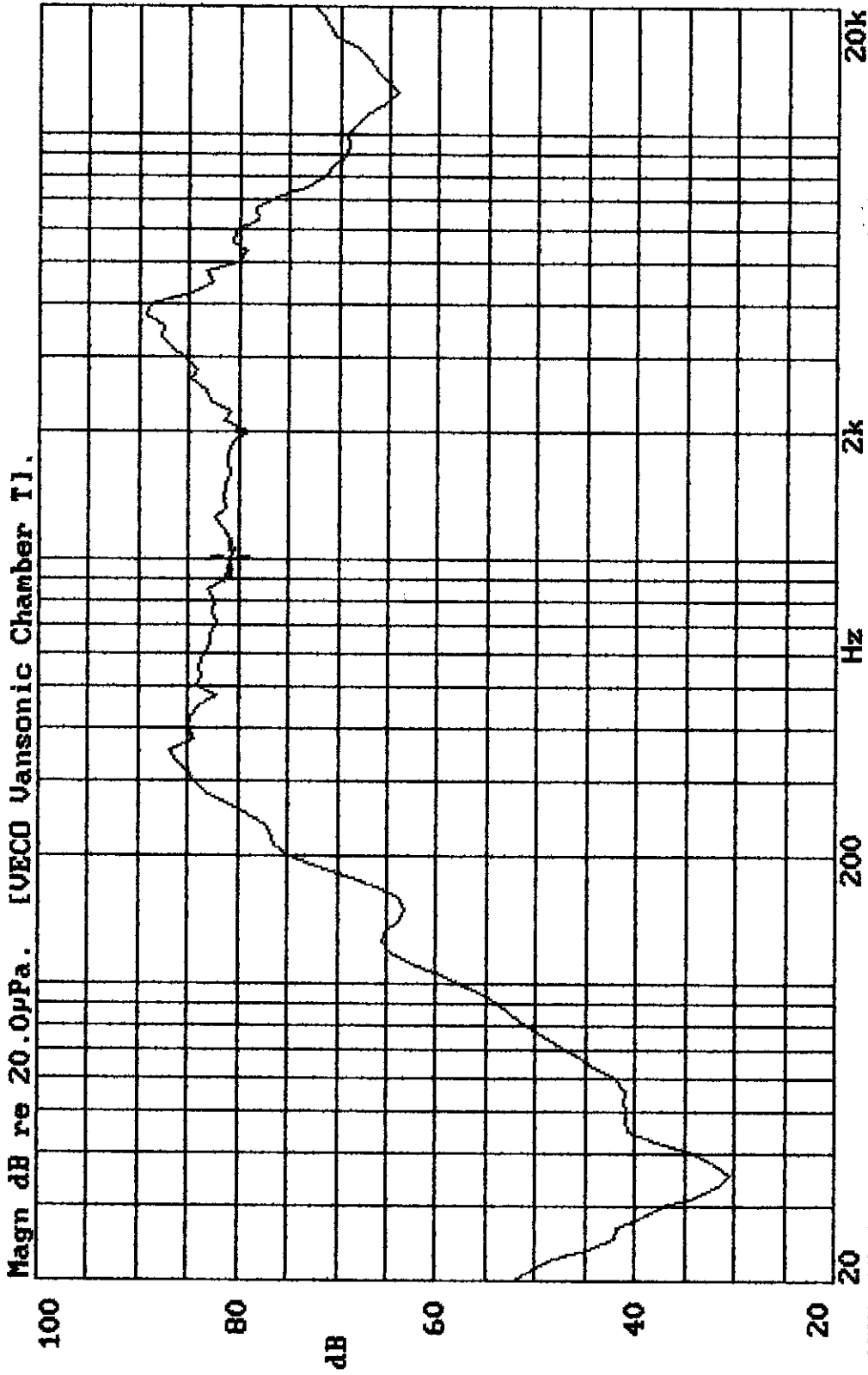


Note: This slot is reserved for VC lead wires, should not for other application

Unit : mm

Housing Material : ABS

45CS08G-M75ND VDL:1.265V(0.2W) DIS:0.5M VANSONIC
X:1.0000kHz *Y:80.75dB ZA:Live Curve SSR Fund.



24-NOV-1999 14:02:17

Mode: SPEAKER

