

VECO VANSONIC ENTERPRISE CO., LTD.

8F., No. 7, Lane 16, Sec. 2, Szechwan Road, Panchiao, Taipei Hsien, TAIWAN.

TEL: +886-2-29626335

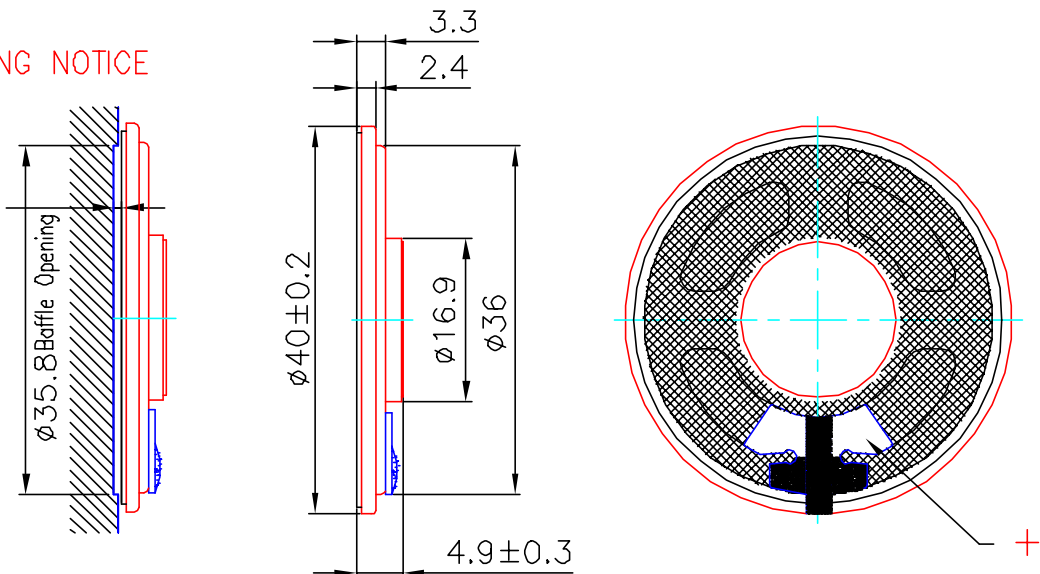
FAX: +886-2-29625220

E-MAIL: VANSONIC@MS4.HINET.NET

1.	MODEL:	40CS08FN -E75BT(Resistant High Temperature)			
2.	Dimension	Outer Diameter	40 mm.	Baffle Opening	35.8 mm.
		Height	Refer to Drawing.	Weight	9.2 Grams.
3.	Magnet	Materials	Rare Earth	Size	∅ 12.5X 1.5 mm.
4.	Nominal Impedance	8	± 15 %	At	1000 Hz.
5.	Power Rating	Normal	1000 mW.	Maximum	1500 mW.
6.	Lowest Resonant Frequency	430	± 20 %		Hz.
7.	Output Sound Pressure Level (S.P.L.)	84	± 3 db / 1.0 Watt	0.5 Meter.	
		Average at	800, 1000, 1200, 1500	Hz.	
8.	Frequency Range	200	~ 5000 Hz.	Average SPL - 10 db.	
9.	Distortion	5 %	Maximum At	1000 Hz.	1000 mW.
10.	Abnormal Sound Test	Must be Normal Tested By		2.9 Volts.	Sine Wave.
11.	Load Test	White Noise with Weighted Filter		2.9 Volts.(RMS)	24Hrs.
12.	Polarity	Diaphragm shall move Forward when Apply a Positive DC.			
		Current to the "+" or "Marked" Terminal.			

MOUNTING NOTICE

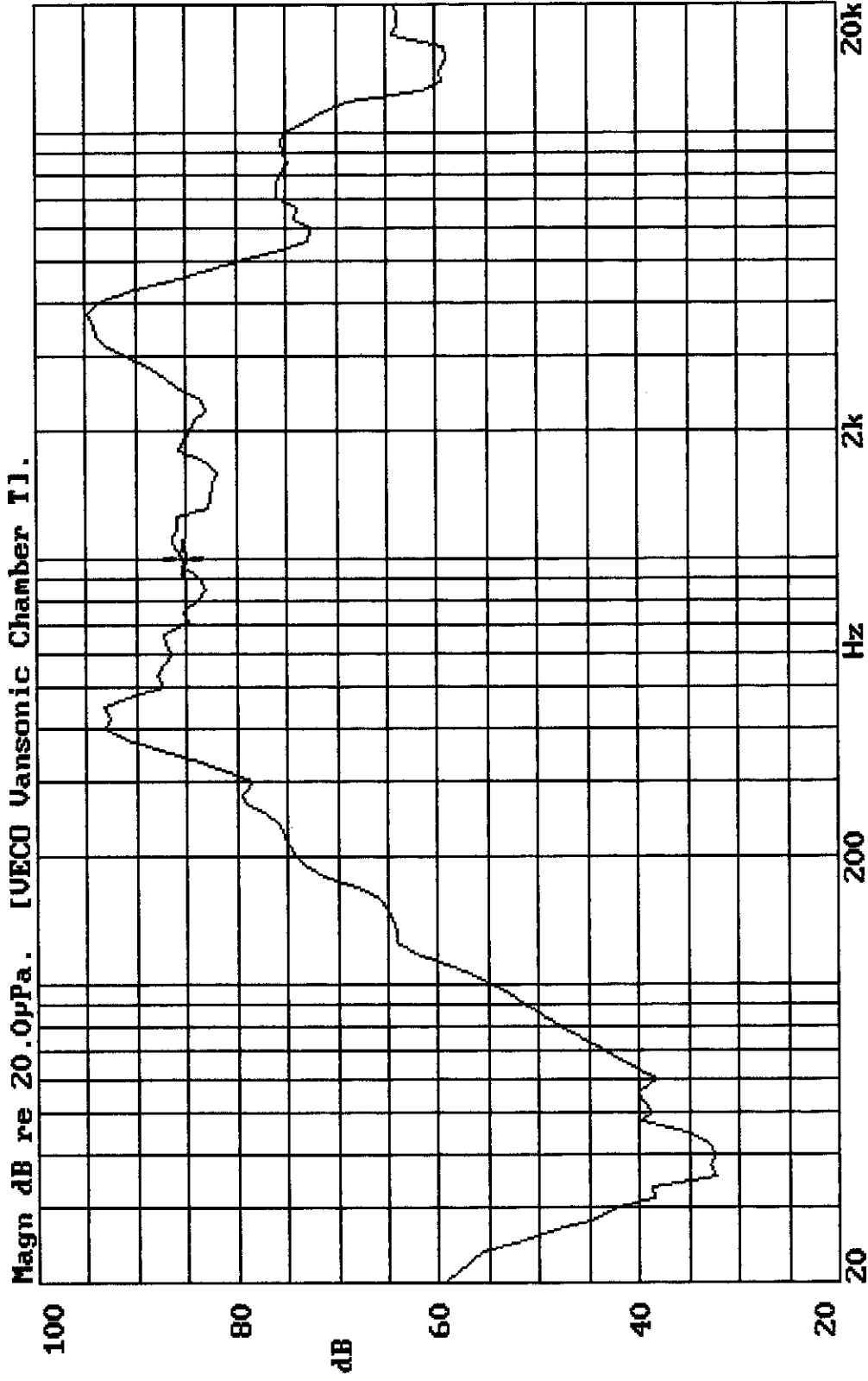
AT LEAST
0.8mm
FOR
DIAPHRAGM
MOVING



Unit : mm

Housing Material : METAL

40CS08FN-E75BT VOL:2.828V(1W) DIS:0.5M VANSONIC
X:1.0000kHz *Y:85.31dB ZA:Live Curve SSR Fund.

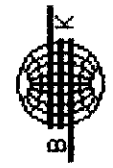
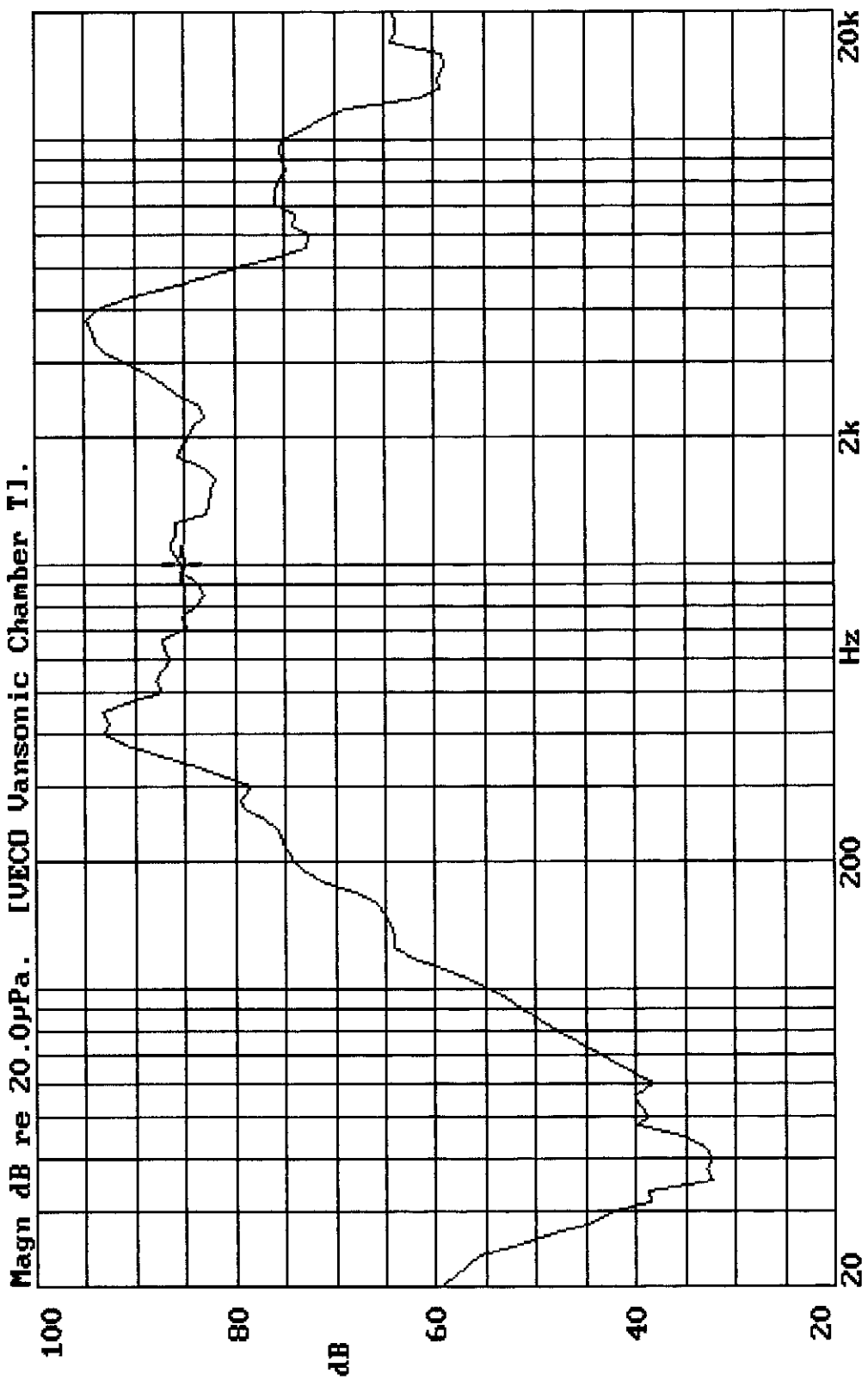


15-DEC-2000 14:38:12

Mode: SPEAKER



40CS08FN-E75BT VOL:2.828V(1W) DIS:0.5M VANSONIC
X:1.0000kHz *Y:85.31dB ZA:Live Curve SSR Fund.



15-DEC-2000 14:38:12

Mode: SPEAKER