

VECO VANSONIC ENTERPRISE CO., LTD.

8F., No. 7, Lane 16, Sec. 2, Szechwan Road, Panchiao, Taipei Hsien, TAIWAN.

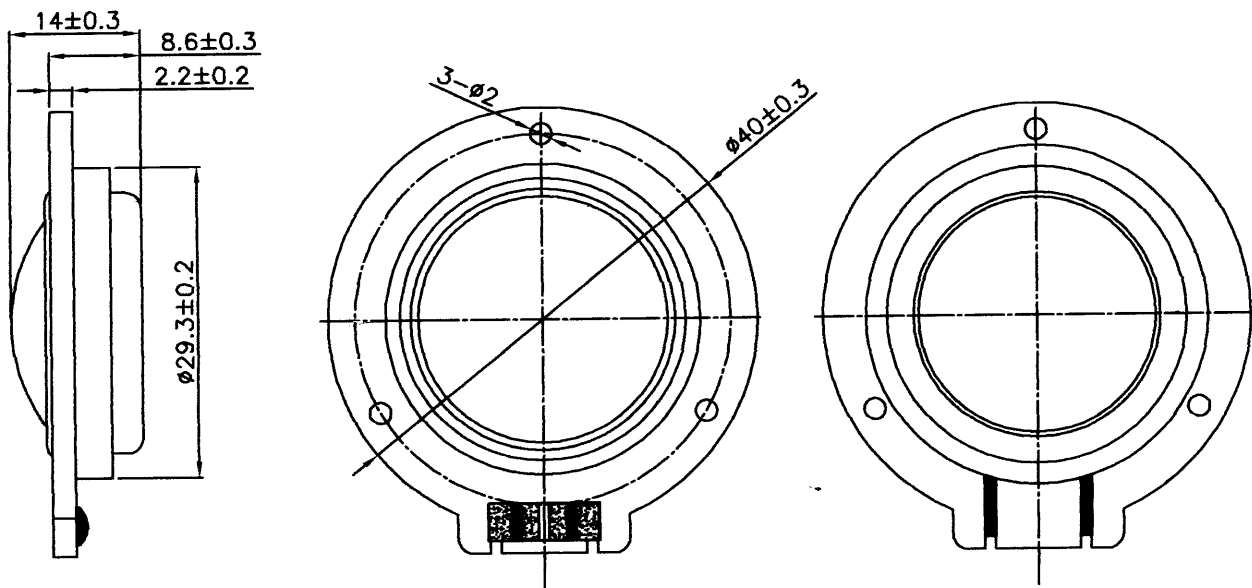
TEL: +886-2-29626335

FAX: +886-2-29625220

E-MAIL: vansonic@ms4.hinet.net

1.	MODEL:	40CMG16
2.	Dimension	Outer Diameter $\phi 40$ mm.
		Height Refer to Drawing . Weight 22 Grams.
3.	Magnet	Materials Rare Earth . Size $\phi 19 \times 3.4$ mm.
4.	Nominal Impedance	16 Ω \pm 15 % At 1000 Hz.
5.	Power Rating	Normal 3.0 W. Maximum 6.0 W.
6.	Lowest Resonant Frequency	1400 \pm 20 % Hz.
7.	Output Sound Pressure Level (S.P.L.)	93 \pm 3 db / 1.0 Watt · 0.5 Meter.
		Average at 1000, 1200, 1500, 2000 Hz.
8.	Frequency Range	800 ~ 20000 Hz. Average SPL - 10 db.
9.	Distortion	5 % Maximum At 1000 Hz. 1000 mW.
10.	Abnormal Sound Test	Must Be Normal Test By 6.92 Volts. Sine Wave.
11.	Load Test	White Noise With Weighted Filter 6.92 Volts.(RMS) 24 Hrs.
12.	Polarity	Diaphragm shall move Forward when Apply a Positive DC.
		Current to the "+" or "Marked" Terminal.

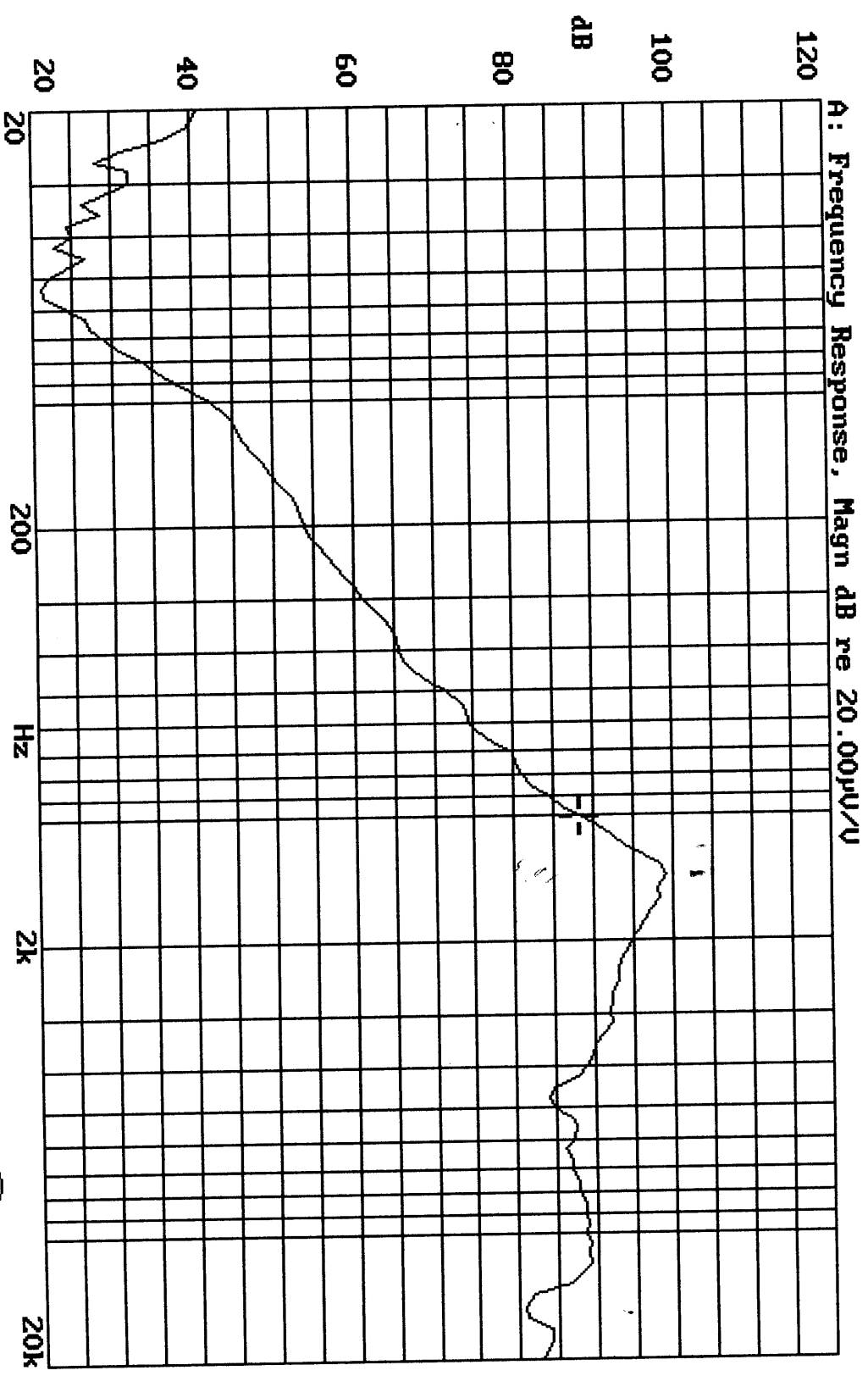
MOUNTING NOTICE



Unit : mm

Housing Material : ABS

P40CMG16 VOL:4.0V(1W) DIS:0.5M VANSOONIC
X:1.0000KHZ *Y:88.20dB ZA:1.0000 SSR Fund.



30-SEP-2004 10:31:37

Mode: SSR

