

VECO VANSONIC ENTERPRISE CO., LTD.

8F., No. 7, Lane 16, Sec. 2, Szechwan Road, Panchiao, Taipei Hsien, TAIWAN.

TEL: +886-2-29626335

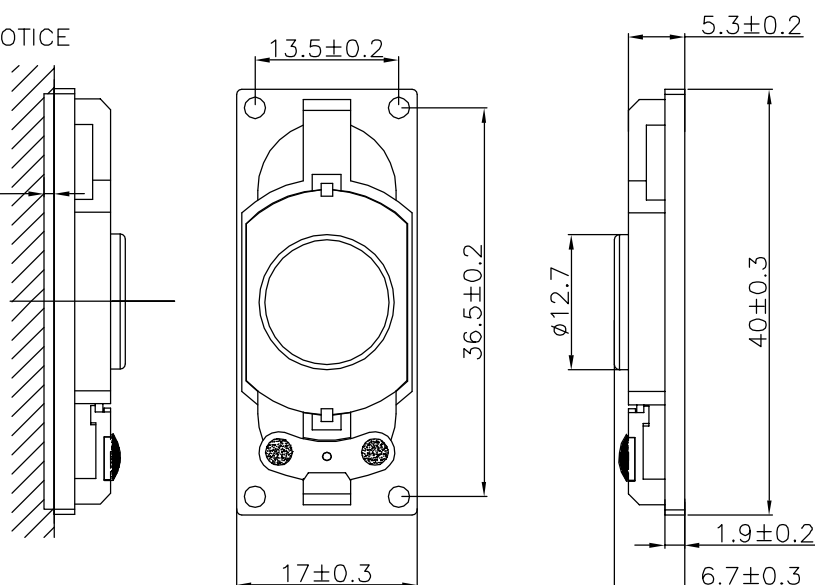
FAX: +886-2-29625220

E-MAIL: vansonic@ms4.hinet.net

1.	MODEL:	4017KP08-2					
2.	Dimension	Outer Diameter	40 X 17	mm.	Baffle Opening	39X16	mm.
		Height	Refer to Drawing.		Weight	5.1	Grams.
3.	Magnet	Materials	NdFeB	.	Size	ϕ 9.5X1.5	mm.
4.	Nominal Impedance	8	\pm	15	%	At	1000 Hz.
5.	Power Rating	Normal	2	W.	Maximum	3	W.
6.	Lowest Resonant Frequency	700	\pm	20	%		Hz.
7.	Output Sound Pressure Level (S.P.L.)	88	\pm	3	db / 1.0 Watt	.	0.5 Meter.
		Average at	800,	1000,	1200,	1500	Hz.
8.	Frequency Range	450	~	18000	Hz.	Average S P L - 10	db.
9.	Distortion	5	%	Maximum At	1000	Hz.	1000 mW.
10.	Abnormal Sound Test	Must Be Normal Test By		4.0	Volts.	Sine Wave.	
11.	Load Test	Pink Noise With Weighted Filter		4.0	Volts.(RMS)	96 Hrs.	
12.	Polarity	Diaphragm shall move Forward when Apply a Positive DC.					
		Current to the "+" or "Marked" Terminal.					

MOUNTING NOTICE

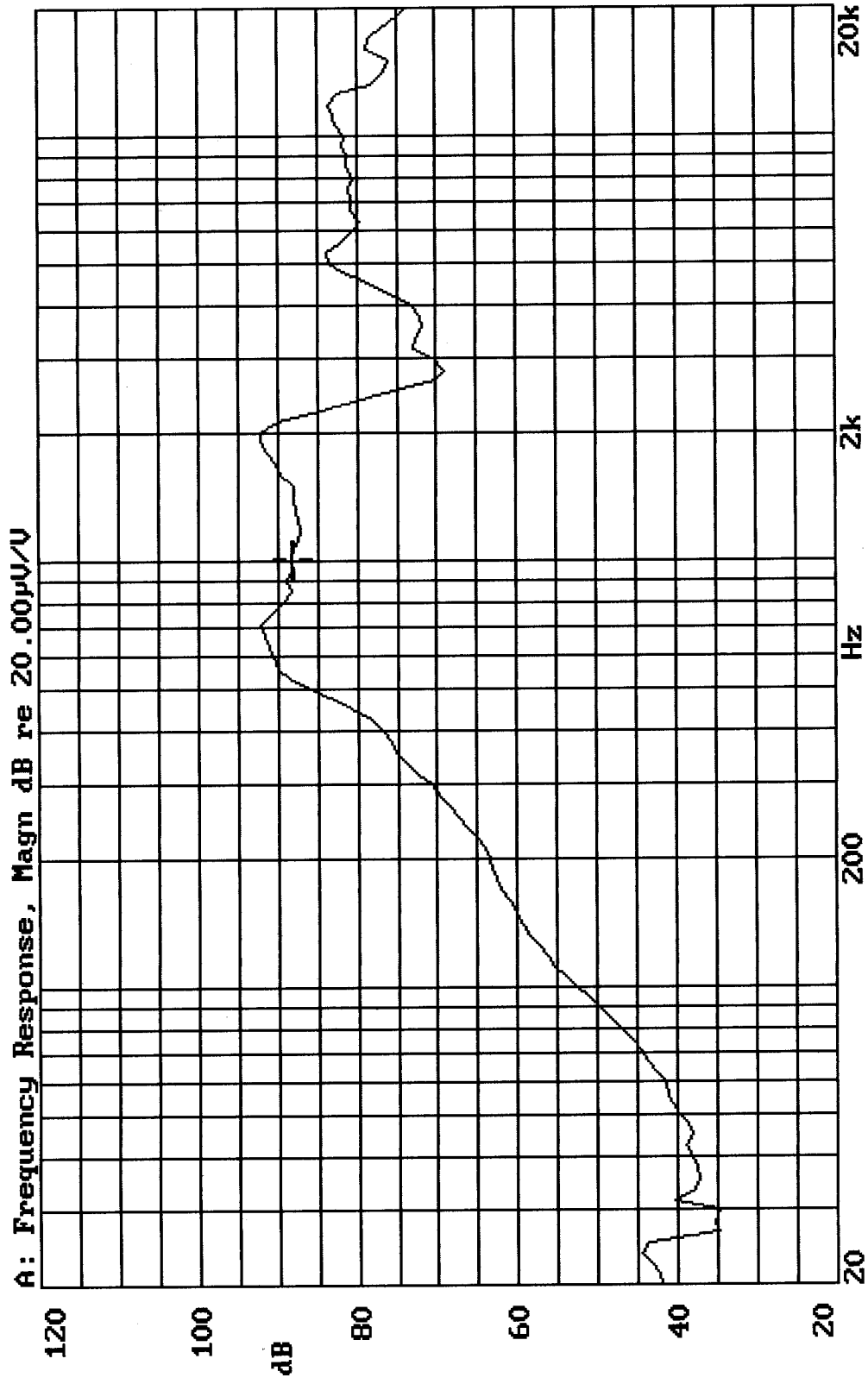
AT LEAST
1.2mm
FOR
DIAPHRAM
MOVING



Unit : mm

Housing Material : PBT

P4017KP08-2 VOL:2.83V(1W) DIS:0.5M VANSONIC
X:1.0000kHz *Y:88.36dB ZA:1.0000 SSR Fund.



13-OCT-2004 16:17:47

Mode: SSR

