

VECO VANSONIC ENTERPRISE CO.,LTD.

8F.,No.7,Lane 16, Sec.2, Szechwan Road, Panchiao, Taipei Hsien, TAIWAN.

TEL: +886-2-29626335

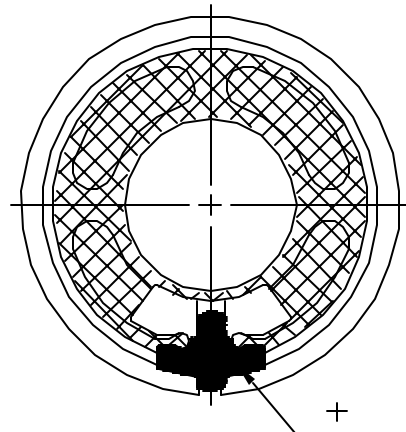
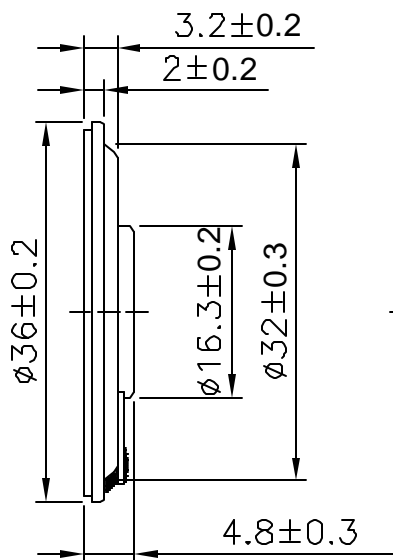
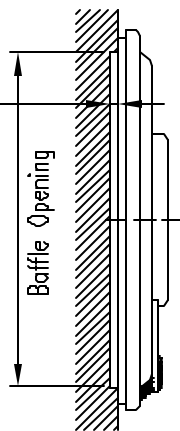
FAX: +886-2-29625220

E-MAIL: vansonic@ms4.hinet.net

1.	MODEL:	P36CSF08-1 -E75BT(Clear Mylar) -E75BD(Black Mylar)
2.	Dimension	Outer Diameter $\phi 36$ mm. Baffle Opening $\phi 32$ mm.
		Height Refer to Drawing . Weight 8.6 Grams.
3.	Magnet	Materials Rare Earth . Size $\phi 12.5 \times 1.5$ mm.
4.	Nominal Impedance	8 \pm 15 % At 1200 Hz.
5.	Power Rating	Normal 1000 mW. Maximum 1500 mW.
6.	Lowest Resonant Frequency	580 \pm 20 % Hz.
7.	Output Sound Pressure Level (S.P.L.)	89 \pm 3 db / 0.5 Watt . 0.5 Meter.
		Average at 800, 1000, 1200, 1500 Hz.
8.	Frequency Range	350 ~ 6500 Hz. Average SPL - 10 db.
9.	Distortion	5 % Maximum At 1000 Hz. 500 mW.
10.	Abnormal Sound Test	Must Be Normal Test By 2.83 Volts. Sine Wave.
11.	Load Test	White Noise With Weighted Filter 2.83 Volts.(RMS) 96 Hrs.
12.	Polarity	Diaphragm shall move Forward when Apply a Positive DC.
		Current to the "+" or "Marked" Terminal.

MOUNTING NOTICE

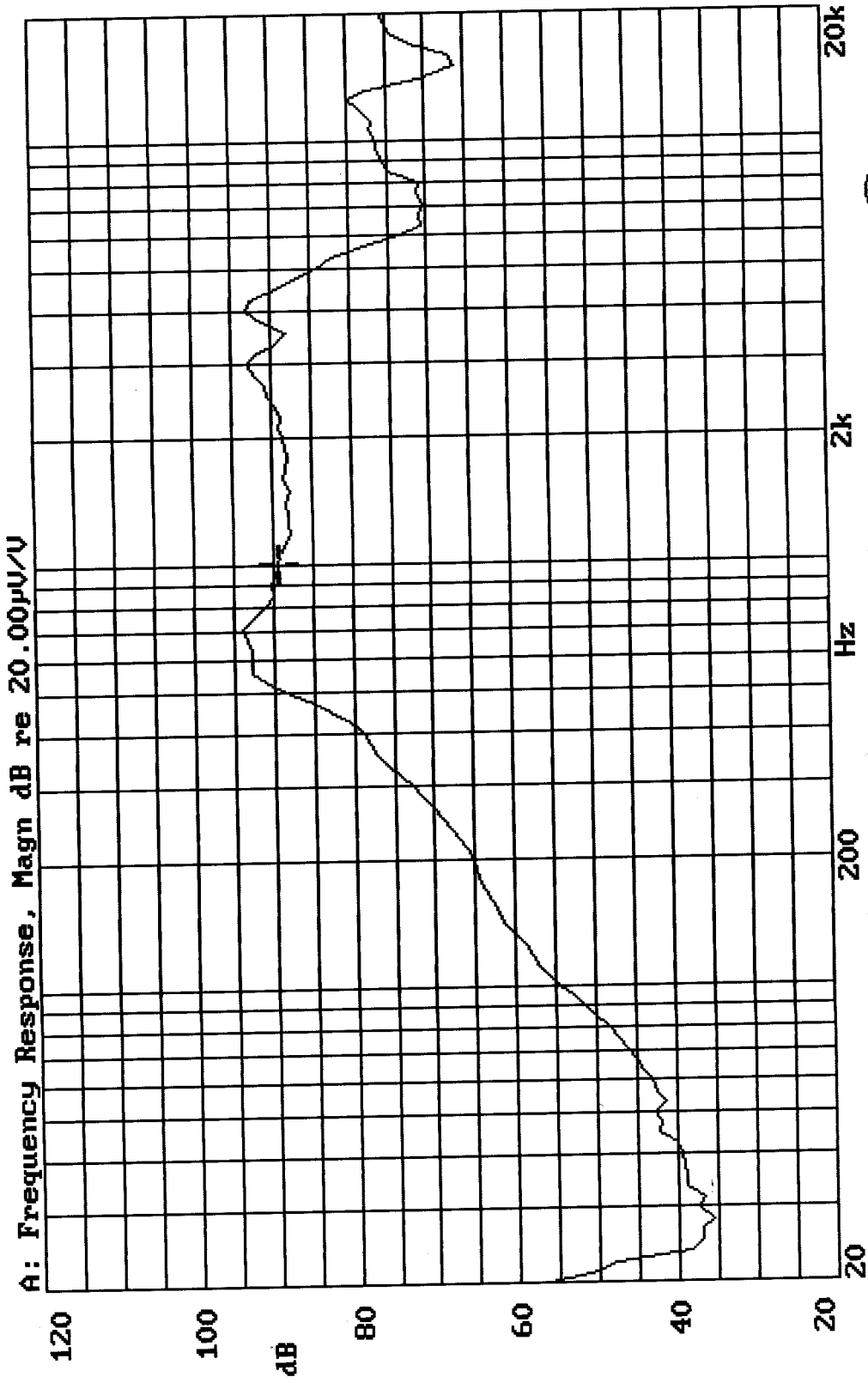
AT LEAST
0.8mm
FOR
DIAPHRAGM
MOVING



Unit : mm

Housing Material : METAL

36CSF08-1-E75BT VOL:2.83V(1W) DIS:0.5M VANSONIC SSR Fund.
X:1.0000kHz *Y:89.49dB ZA:1.0000



20-JUL-2004 14:42:22

Mode: SSR