

VECO VANSONIC ENTERPRISE CO., LTD.

8F., No. 7, Lane 16, Sec. 2, Szechwan Road, Panchiao, Taipei Hsien, TAIWAN.

TEL: +886-2-29626335

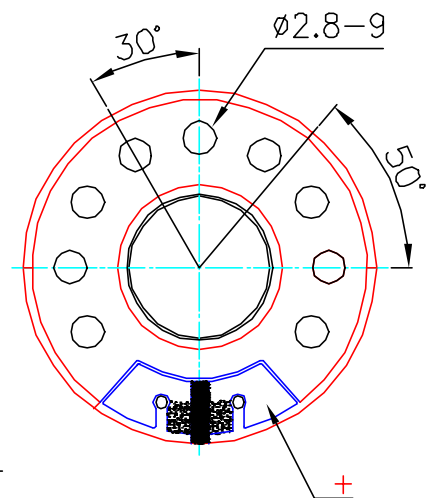
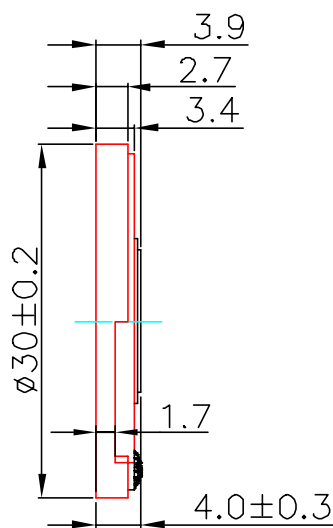
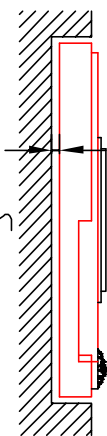
FAX: +886-2-29625220

E-MAIL: vansonic@ms4.hinet.net

1.	MODEL:	30CS08G -M50NT(Clear Mylar)-M50ND(Black Mylar)
2.	Dimension	Outer Diameter 30 mm. Baffle Opening 28 mm.
		Height Refer to Drawing . Weight 2.8 Grams.
3.	Magent	Materials Rare Earth . Size ϕ 9.5X1.5 mm.
4.	Nominal Impedance	8 \pm 15 % At 1500 Hz.
5.	Power Rating	Normal 200 mW. Maximum 300 mW.
6.	Lowest Resonant Frequency	530 \pm 20 % Hz.
7.	Output Sound Pressure Lever (S.P.L.)	80 \pm 3 db / 0.2 Watt . 0.5 Meter.
		Average at 800, 1000, 1200, 1500 Hz.
8.	Frequency Range	300 ~ 5600 Hz. Average S P L - 10 db.
9.	Distortion	5 % Maximum At 1000 Hz. 200 mW.
10.	Abnormal Sound Test	Must Be Normal Test By 1.3 Volts. Sine Wave.
11.	Load Test	White Noise With Weighted Filter 1.3 Volts.(RMS) 24 Hrs.
12.	Polarity	Diaphragm shall move Forward when Apply a Positive DC.
		Current to the "+" or "Marked" Terminal.

MUNTING NOTICE

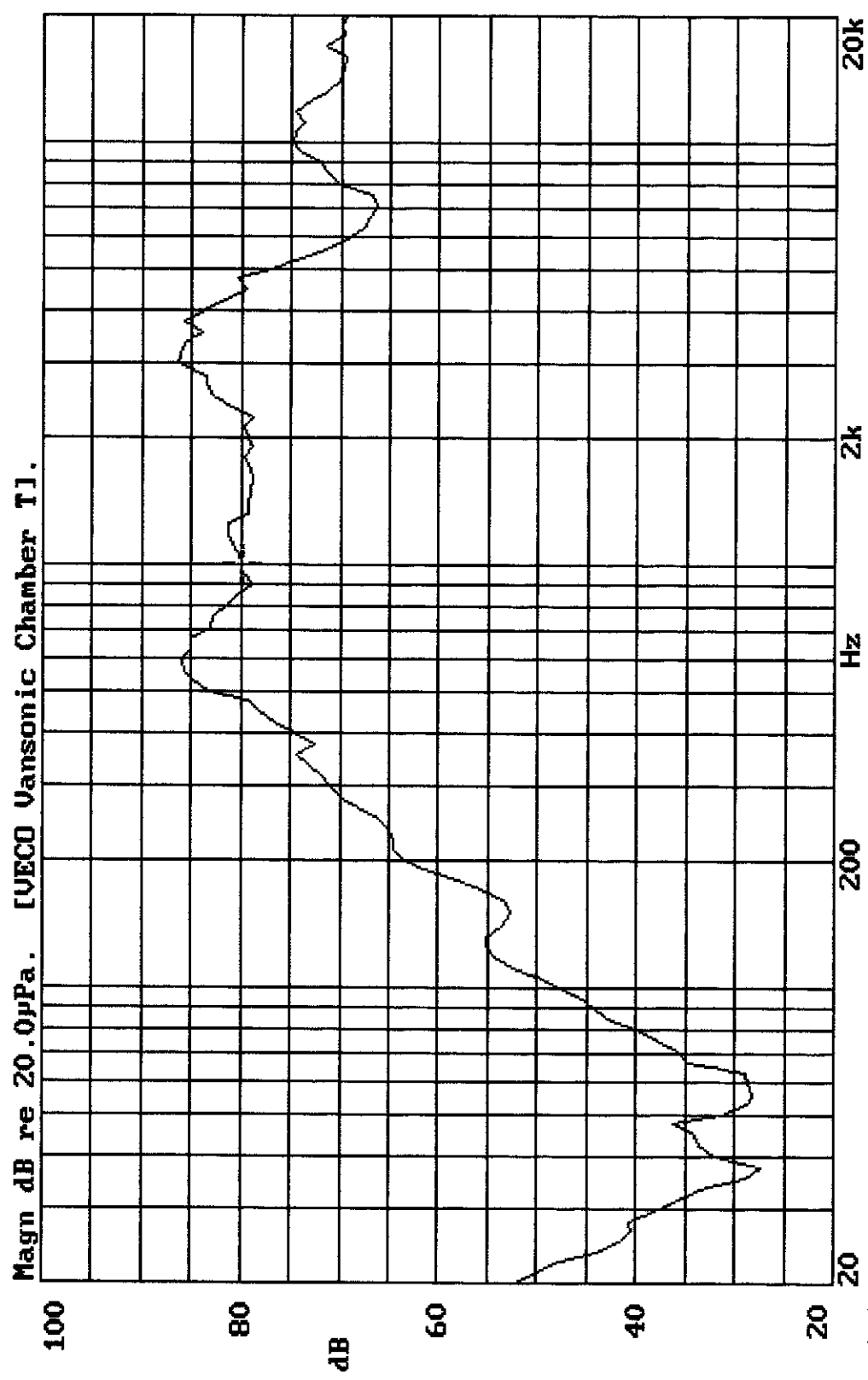
At least
0.6mm
For
Diaphragm
Moving



Unit : mm

Housing Material : ABS

30CS08G-50NT Vol:1.265V(0.2M) Dis:0.5M VANSONIC
X:1.0000kHz *Y:80.03dB ZA:Live Curve SSR Fund.



29-JUN-1999 10:39:18

Mode: SPEAKER

