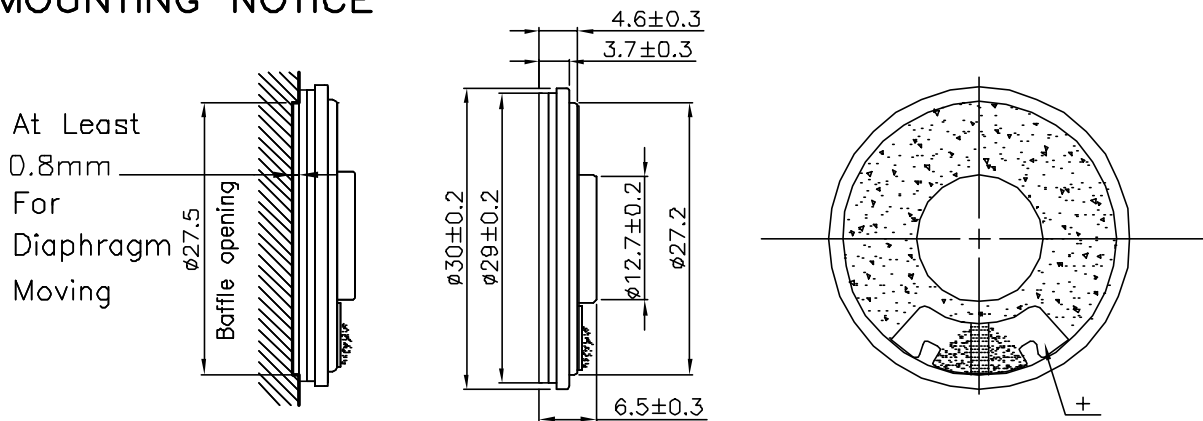


1.	MODEL:	30CS08FP-1			
2.	Dimension	Outer Diameter	30 mm.	Baffle Opening	27.5 mm.
		Height	Refer to Drawing	Weight	5.4 Grams.
3.	Magnet	Materials	Rare Earth	Size	∅ 9.5X1.5 mm.
4.	Nominal Impedance	8	± 15 %	At	1500 Hz.
5.	Power Rating	Normal	1500 mW.	Maximum	2000 mW.
6.	Lowest Resonant Frequency	450	± 20 %		Hz.
7.	Output Sound Pressure Lever (S.P.L.)	82	± 3 db / 1 Watt	. 0.5 Meter.	
		Average at	600, 800, 1000, 1200	Hz.	
8.	Frequency Range	200 ~ 20000	Hz.	Average S P L -	10 db.
9.	Distortion	5 %	Maximum At	1000 Hz.	1000 mW.
10.	Abnormal Sound Test	Must be Normal Tested By		3.5 Volts.	Sine Wave.
11.	Load Test	White Noise with Weighted Filter		3.5 Volts.(RMS)	96 Hrs.
12.	Polarity	Diaphragm shall move Forward when Apply a Positive DC.			
		Current to the "+" or "Marked" Terminal.			

MOUNTING NOTICE



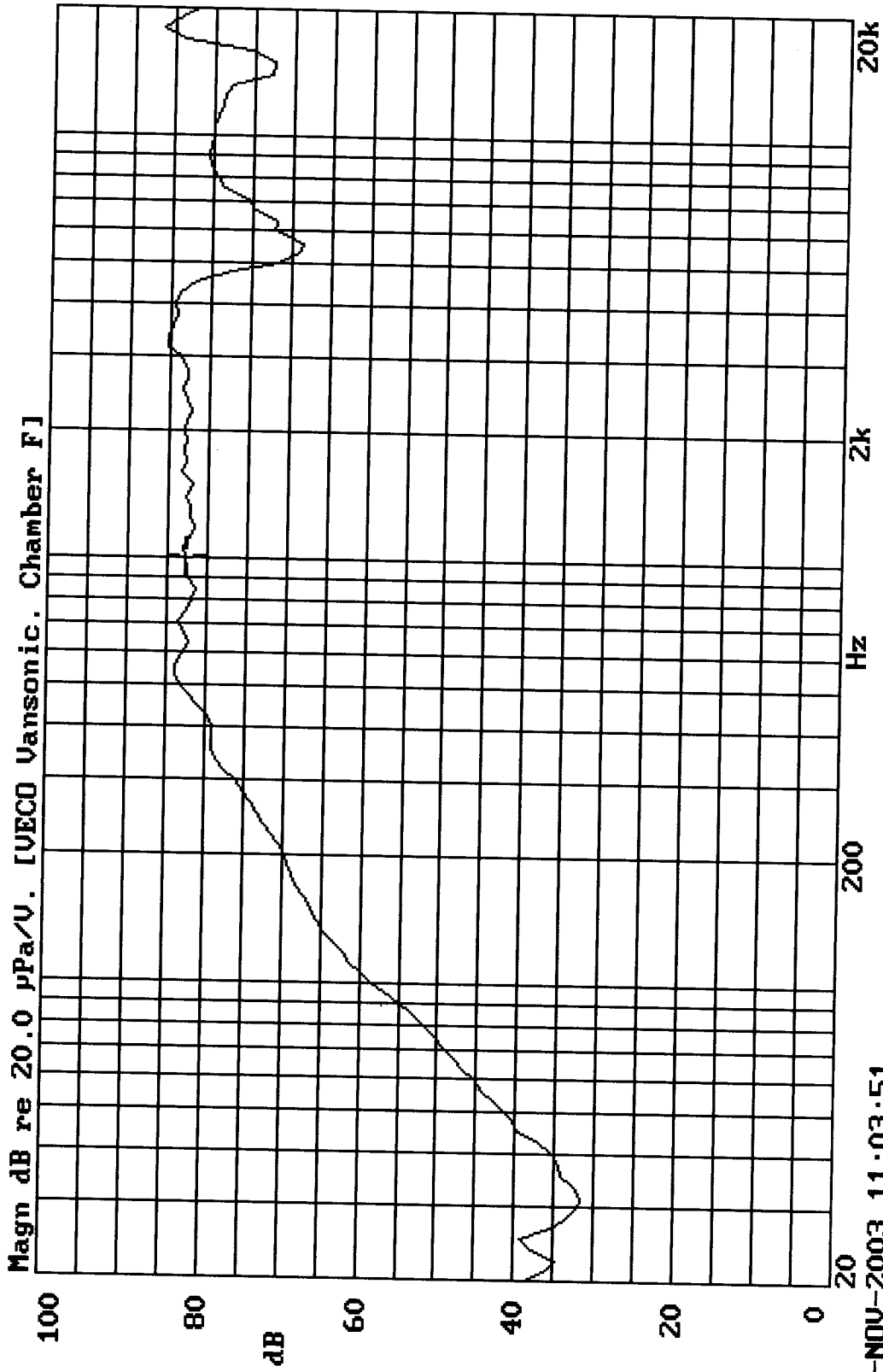
Unit : mm

Housing Material : METAL

P30CS08FP-1 VOL:2.83V(1.0W) DIS:0.5M VANSONIC

X:1.0000kHz *Y:82.87dB ZA:1.0000

SSR Fund.



04-NOV-2003 11:03:51

Mode: SSR

