

VECO VANSONIC ENTERPRISE CO., LTD.

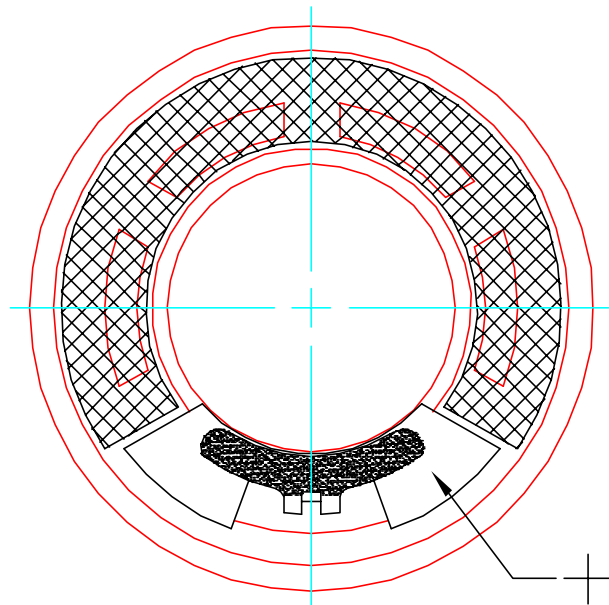
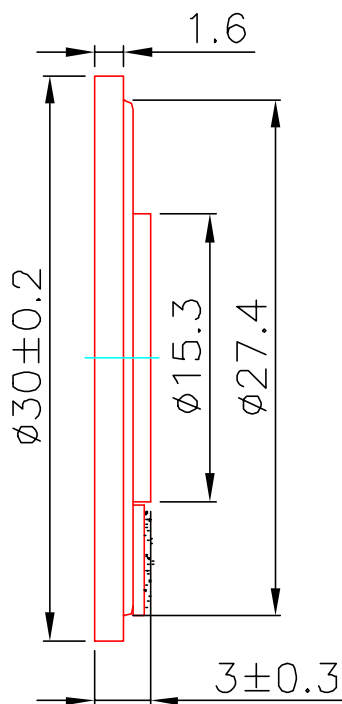
8F., No. 7, Lane 16, Sec. 2, Szechwan Road, Panchiao, Taipei Hsien, TAIWAN.

TEL: +886-2-29626335

FAX: +886-2-29625220

E-MAIL: vansonic@ms4.hinet.net

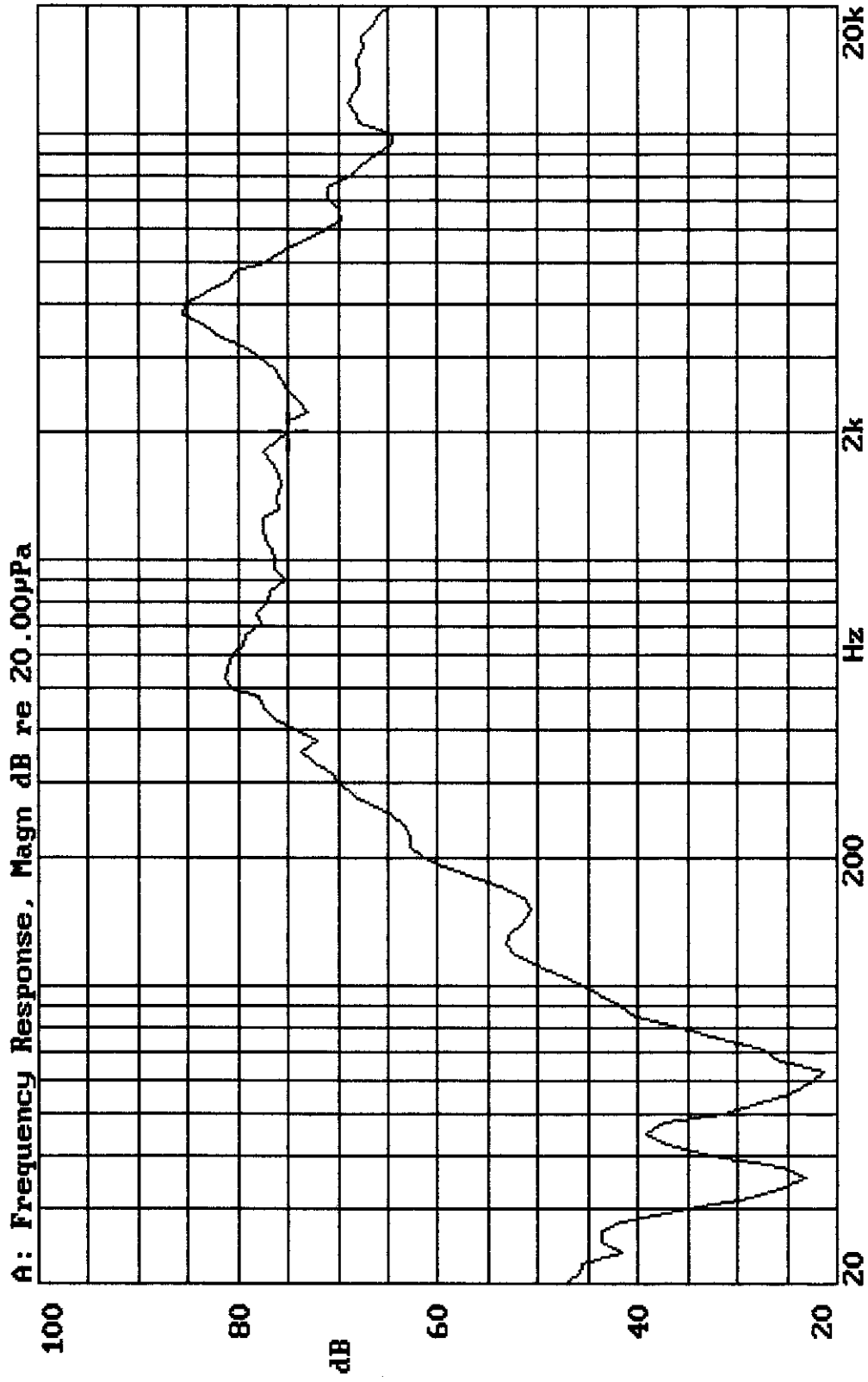
1.	MODEL:	30CS08F -M50NT(Clear Mylar)-M50ND(Black Mylar)					
2.	Dimension	Outer Diameter	30	mm.	Baffle Opening	29	mm.
		Height	Refer to Drawing .		Weight	4.2	Grams.
3.	Magnet	Materials	Rare Earth .		Size	ϕ 12.5X1.0	mm.
4.	Nominal Impedance	8	\pm	15	%	At	1500 Hz.
5.	Power Rating	Normal	100	mW.	Maximum	200	mW.
6.	Lowest Resonant Frequency	500	\pm	20		%	Hz.
7.	Output Sound Pressure Level (S.P.L.)	78	\pm	3	db / 0.1 Watt .	0.5 Meter.	
		Average at		800, 1000, 1200, 1500	Hz.		
8.	Frequency Range	350	~	6500	Hz.	Average SPL - 10 db.	
9.	Distortion	5	%	Maximum At	1000	Hz.	100 mW.
10.	Abnormal Sound Test	Must Be Normal Test By		0.9	Volts.	Sine Wave.	
11.	Load Test	White Noise With Weighted Filter		0.9	Volts.(RMS)	24 Hrs.	
12.	Polarity	Diaphragm shall move Forward when Apply a Positive DC.					
		Current to the "+" or "Marked" Terminal.					



Unit : mm

Housing Material : METAL

30CS0BF-50NT Vol:0.894V(0.1W) Dis:0.5M VANSONIC
X:2.0000kHz *Y:75.10dB ZA:1.0000 SSR Fund.



17-JUN-1999 12:58:05

Mode: SPEAKER