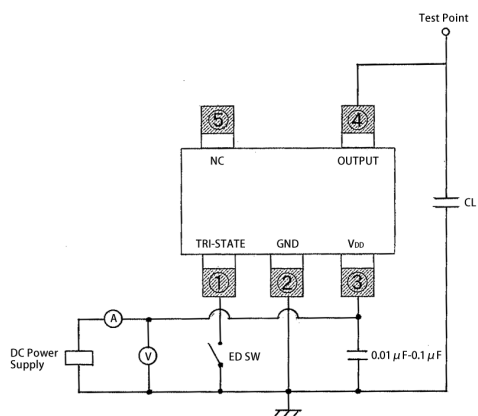
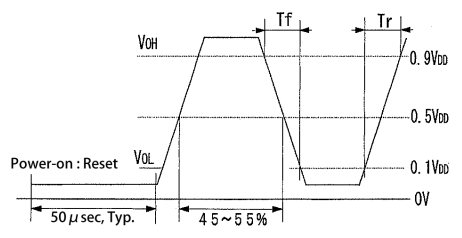
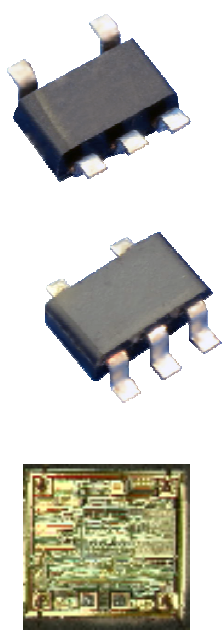


New

- High Shock Resistance
- Wide Operable Temperature Range
- Always Quick Start-up Operation From Low Level
- Custom-make Frequency 0.5Hz to 500MHz

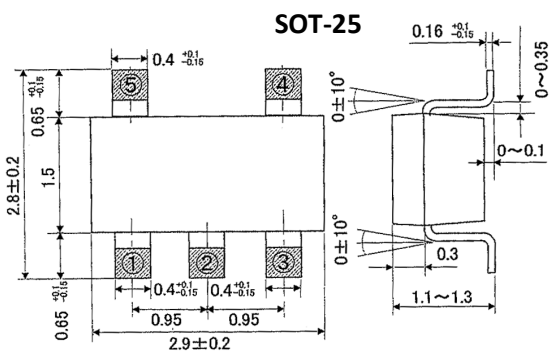
TITLE OSCILLATOR SPECIFICATIONS	DATE Mar. 11, 2011
--	-------------------------------------

- | | |
|------------------------------------|--|
| 1. Part No. : | 25CMO(3.3V)-16M |
| 2. Nominal frequency : | 16.0000MHz |
| 3. Frequency stability : | ±2% over all conditions |
| 4. Operating Conditions | |
| Operating temperature : | -20°C to +70°C |
| Operable temperature: | -55°C to +125°C |
| Storage temperature : | -40°C to +85°C |
| Input voltage (V _{DD}) : | +3.3V DC ±2% |
| 5. Input current : | 3.0 mA max. |
| 6. Output | |
| Symmetry : | 45% to 55% at 1/2 V _{DD} level |
| Rise and fall times : | 5 ns max. (10%V _{DD} to 90%V _{DD} level) |
| "0" level : | 10%V _{DD} max.(V _{OL}) |
| "1" level : | 90%V _{DD} min.(V _{OH}) |
| Output load : | CMOS 15pF max. |
| 7. Tri-state control voltage : | V _{DD} ×0.9 min.(V _{iH}) |
| : | V _{DD} ×0.1 max.(V _{iL}) |
| 8. Start-up time : | 1 ms max. |
| 9. Stand-by current : | 1 μA max. (Pin#1=V _{iL}) |
| 10. Shock resistance : | 20000GS |
| 11. Disable phase delay time : | 50 μs max. |
| 12. Enable phase delay time : | 1 ms max. |
| 13. Reflow soldering condition : | +250°C ±10°C for 10 seconds (reflow soldering)
+170°C ±10°C for 1 to 2 minutes (preheating) |
| 14. Outline dimensions : | See below |



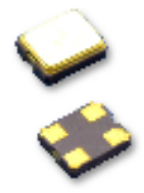
CL : including fixture and probe capacitance

25CMO
RoHS compliant (Pb-free)



PIN	CONNECTION
1	"L" OPEN or "H"
2	GND
3	V _{DD}
4	Z OUTPUT
5	NC

Z : high impedance



mm