

# VECO VANSONIC ENTERPRISE CO., LTD.

8F., No. 7, Lane 16, Sec. 2, Szechwan Road, Panchiao, Taipei Hsien, TAIWAN.

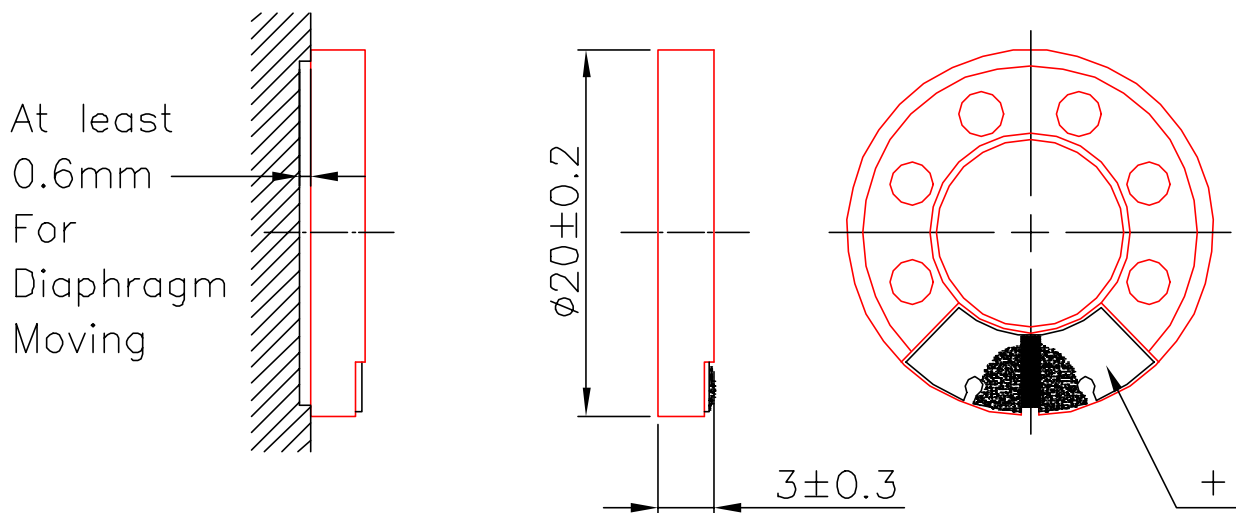
TEL: +886-2-29626335

FAX: +886-2-29625220

E-MAIL: vansonic@ms4.hinet.net

1.	<b>MODEL:</b>	<b>20CL08GS</b> -M38NT(Clear Mylar)					
2.	Dimension	Outer Diameter	<b>20</b>	mm.	Baffle Opening	<b>18.7</b>	mm.
		Height	Refer to Drawing .		Weight	<b>1.8</b>	Grams.
3.	Magnet	Materials	<b>Rear Earth</b> .		Size	$\phi$ <b>9.9x 5.7x0.8</b> mm.	
4.	Nominal Impedance	<b>8</b>	$\pm$	<b>15</b>	%	At	<b>1500</b> Hz.
5.	Power Rating	Normal	<b>100</b>	mW.	Maximum	<b>200</b>	mW.
6.	Lowest Resonant Frequency	<b>820</b>	$\pm$	<b>20</b>		%	Hz.
7.	Output Sound Pressure Lever (S.P.L.)	<b>76</b>	$\pm$	<b>3</b>	db / 0.1 Watt .	0.5 Meter.	
		Average at		<b>1200, 1500, 2000, 2500</b>	Hz.		
8.	Frequency Range	<b>550</b>	~	<b>5000</b>		Hz. Average S P L - 10 db.	
9.	Distortion	<b>5</b>	%	Maximum At	<b>1000</b>	Hz.	<b>100</b> mW.
10.	Abnormal Sound Test	Must Be Normal Test By		<b>0.9</b>	Volts.	Sine Wave.	
11.	Load Test	White Noise With Weighted Filter		<b>0.9</b>	Volts.(RMS)	<b>24</b> Hrs.	
12.	Polarity	Diaphragm shall move Forward when Apply a Positive DC.					
		Current to the "+" or "Marked" Terminal.					

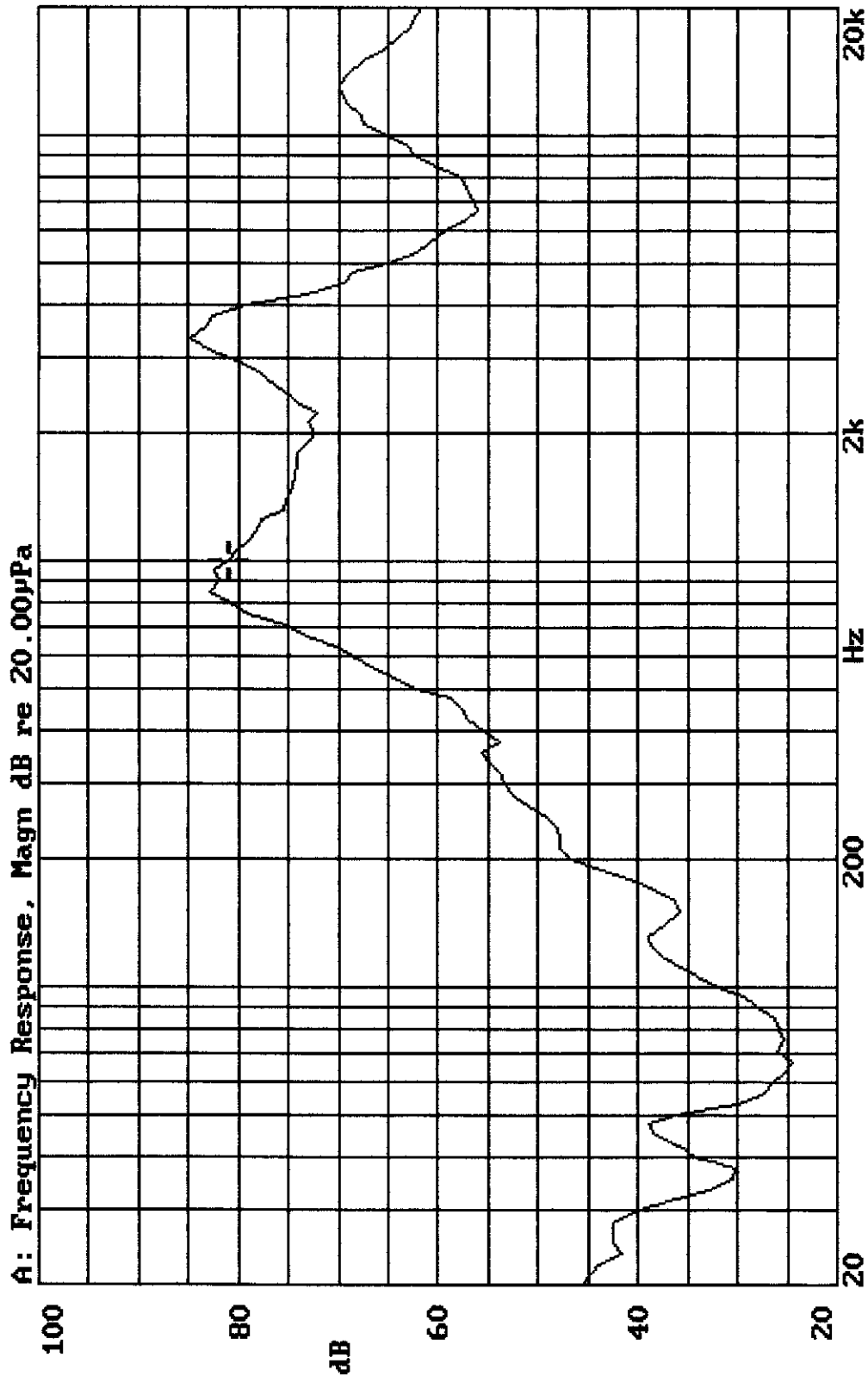
## MOUNTICE NOTICE



Unit : mm

Housing Material : PBT

20C108GS-38NT Vol:0.894V(0.1W) Dis:0.5M VANSONIC  
X:1.0000kHz \*Y:81.16dB ZA:1.0000 SSR Fund.



17-JUN-1999 09:17:56

Mode: SPEAKER

