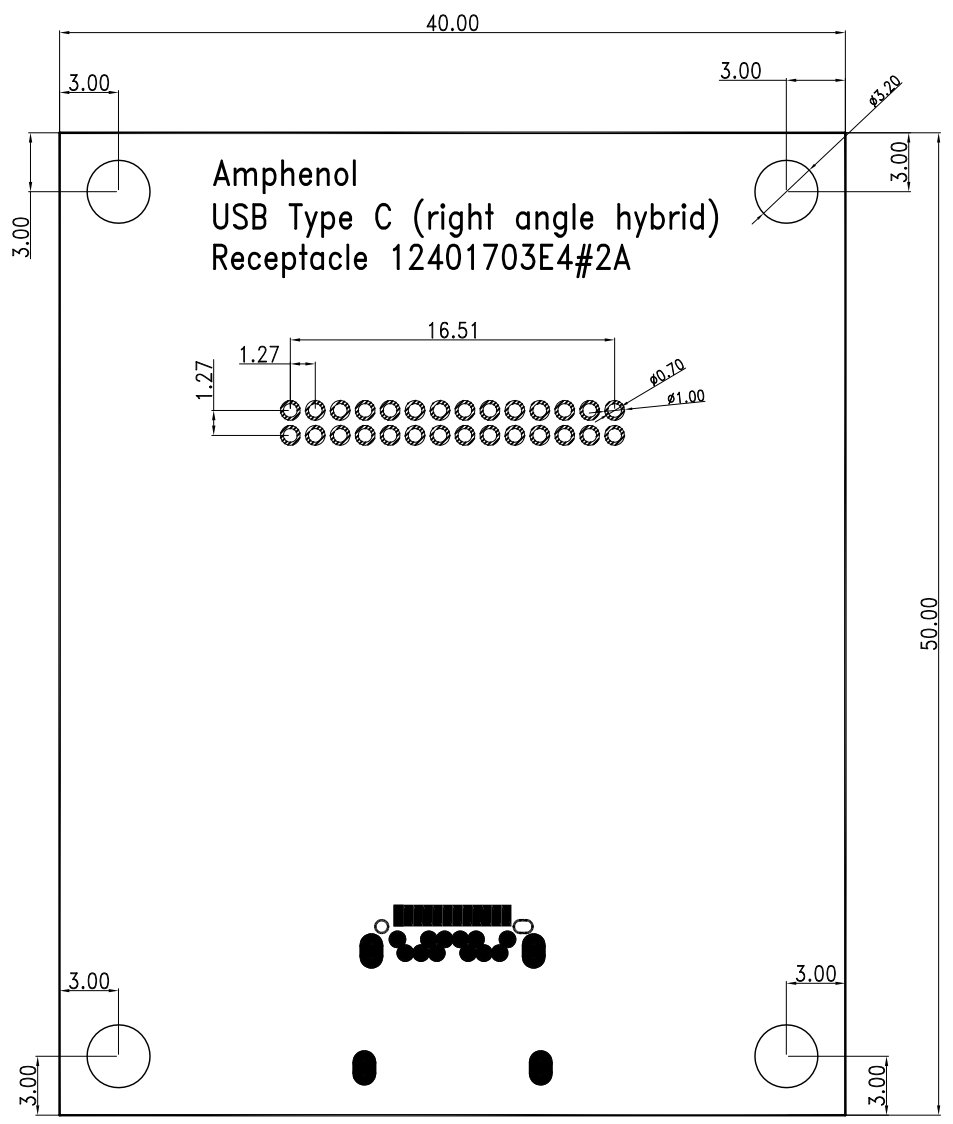


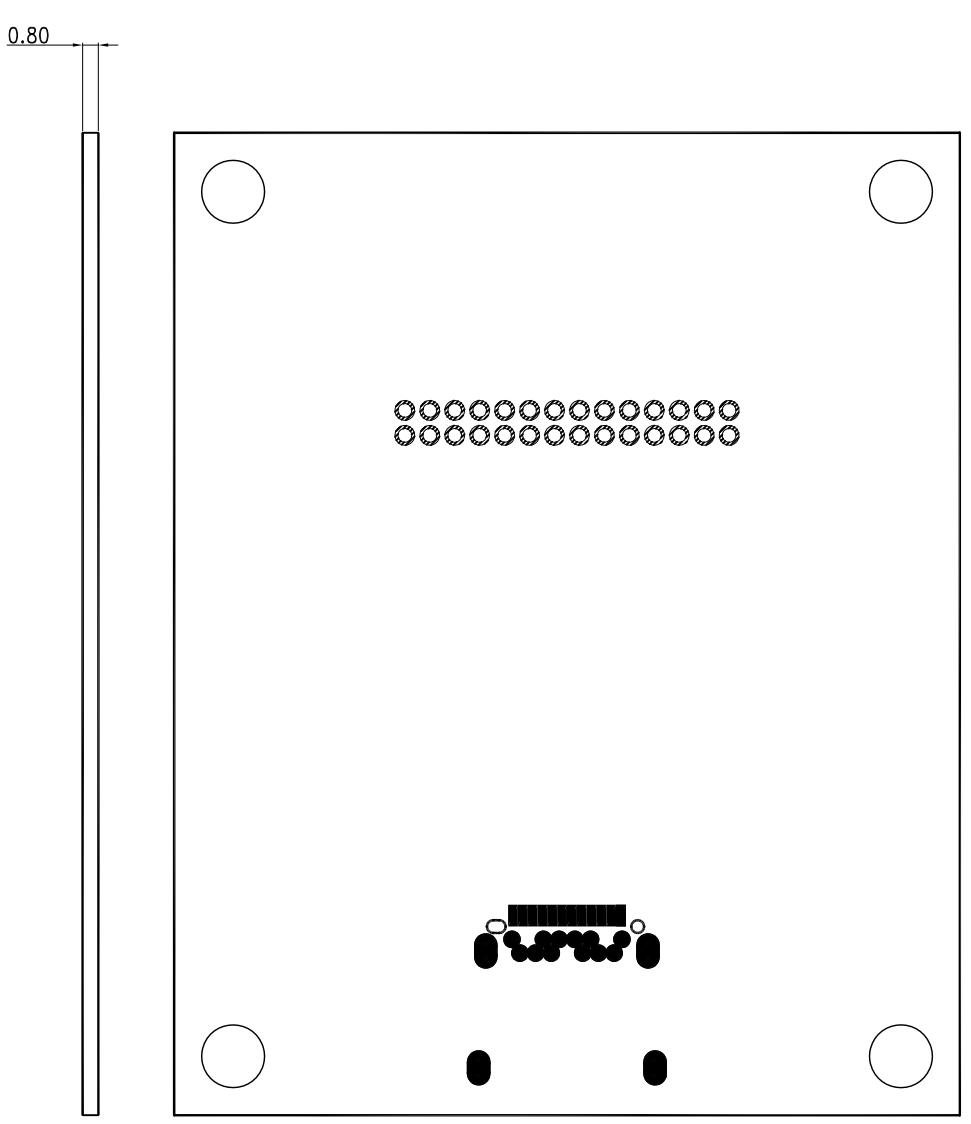
This document is the property of Amphenol Corporation and is delivered on the express condition that it is not to be disclosed, reproduced or used, in whole or in part, for manufacture or sale by anyone other than Amphenol Corporation without its prior consent, & that no right is granted to disclose or to use any information in this document.

REFERENCE DRAWING

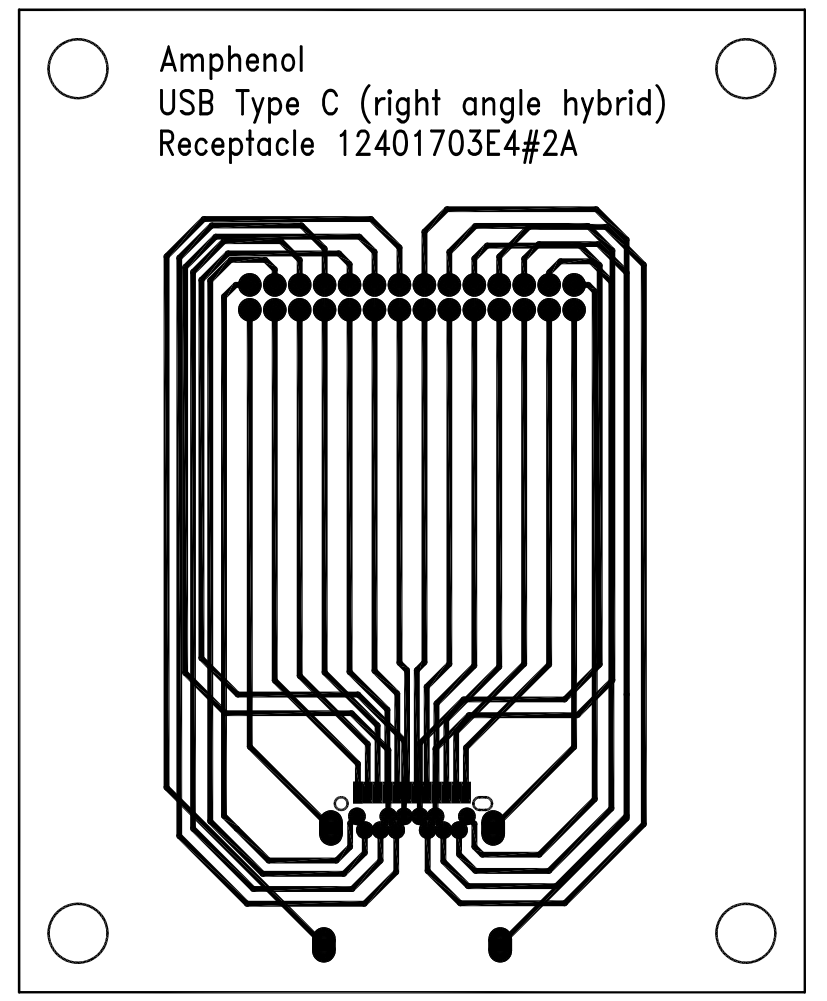
REVISIONS				
SYM	ECN	DESCRIPTION	DATE	APPROVED
X1	1605****	NEW RELEASE	05/09/16	Tom



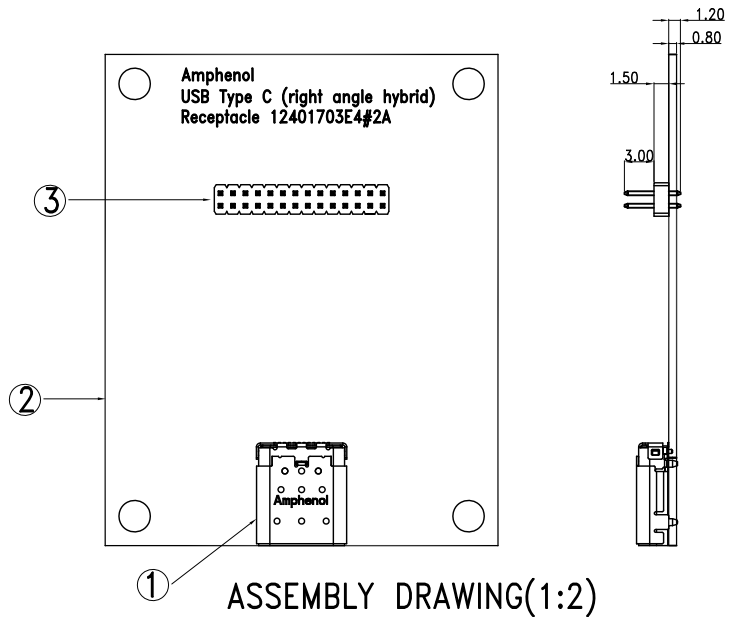
TOP VIEW (SCALE 1:1)



BOTTOM VIEW (SCALE 1:1)



PCB LAYOUT (SCALE 1:1)



ASSEMBLY DRAWING(1:2)

NOTES:

1. Material: FR4 (UL94V-0), 1盎司铜箔厚度, 双面板.
2. Finial: 表面塗綠色絕緣漆, 印字.
3. PAD表面: 化金1u" Min.
4. 连线宽度0.30mm.
5. 單線導通阻抗不得大於30m Ohm
6. 兩相鄰孔之間耐電壓DC500V/5s
7. 陰影線部分為焊盤.
8. 测试導通及耐压.(成品焊接后)
9. General tolerance are ± 0.05 mm
10. Material should be fulfilled Amphenol spec# SSN002 and customer requirements, for halogen free products, also need to meet SSN004.



ITEM	PART LIST	QUANTITY	REMARK
3	PITCH:1.27*1.27	1	2*14PIN
2	RECEPTACLE PCB	1	
1	12401548E4#2A	1	

UNLESS OTHERWISE SPECIFIED TOLERANCES	
U.S.	METRIC
.X +/-	± 0.30
.XX +/-	± 0.25
.XXX +/-	± 0.20
FRACTIONS +/-	
ANGLES +/-	

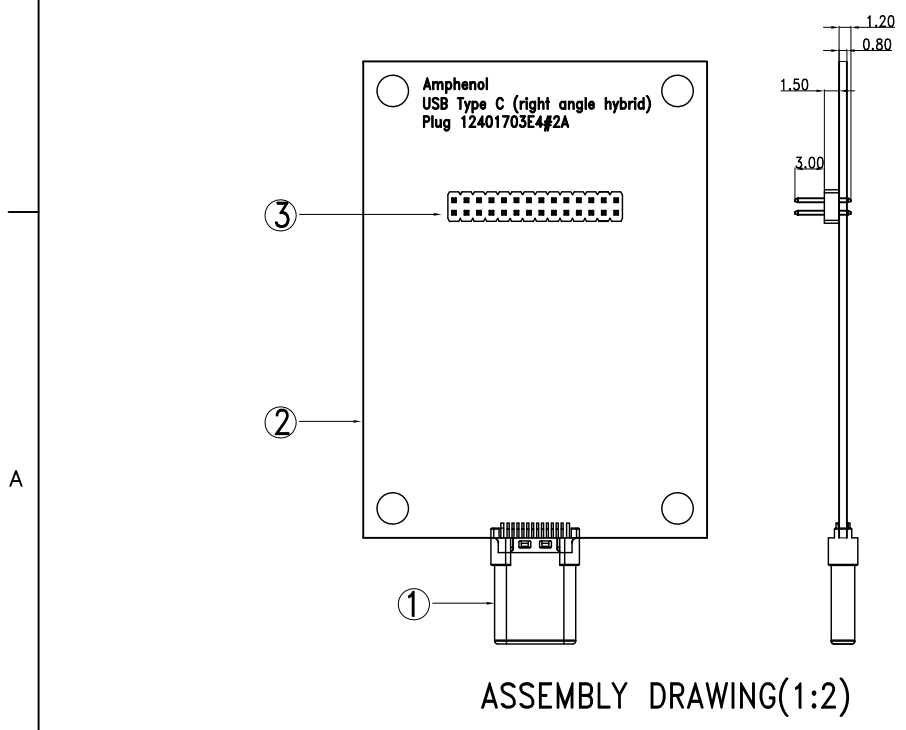
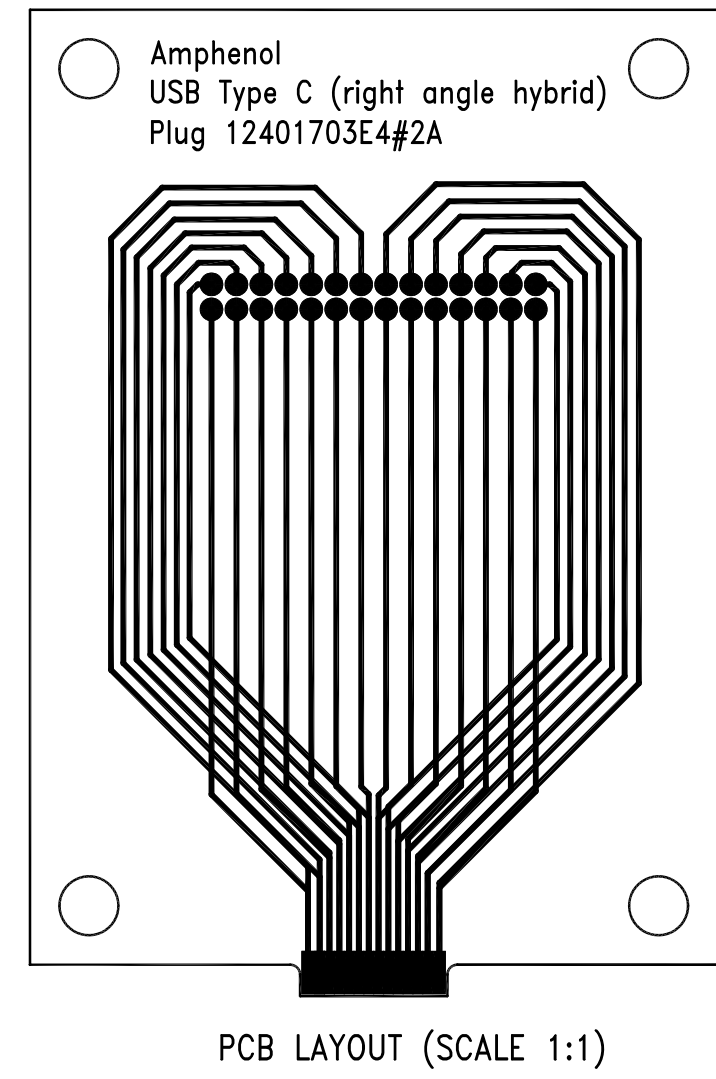
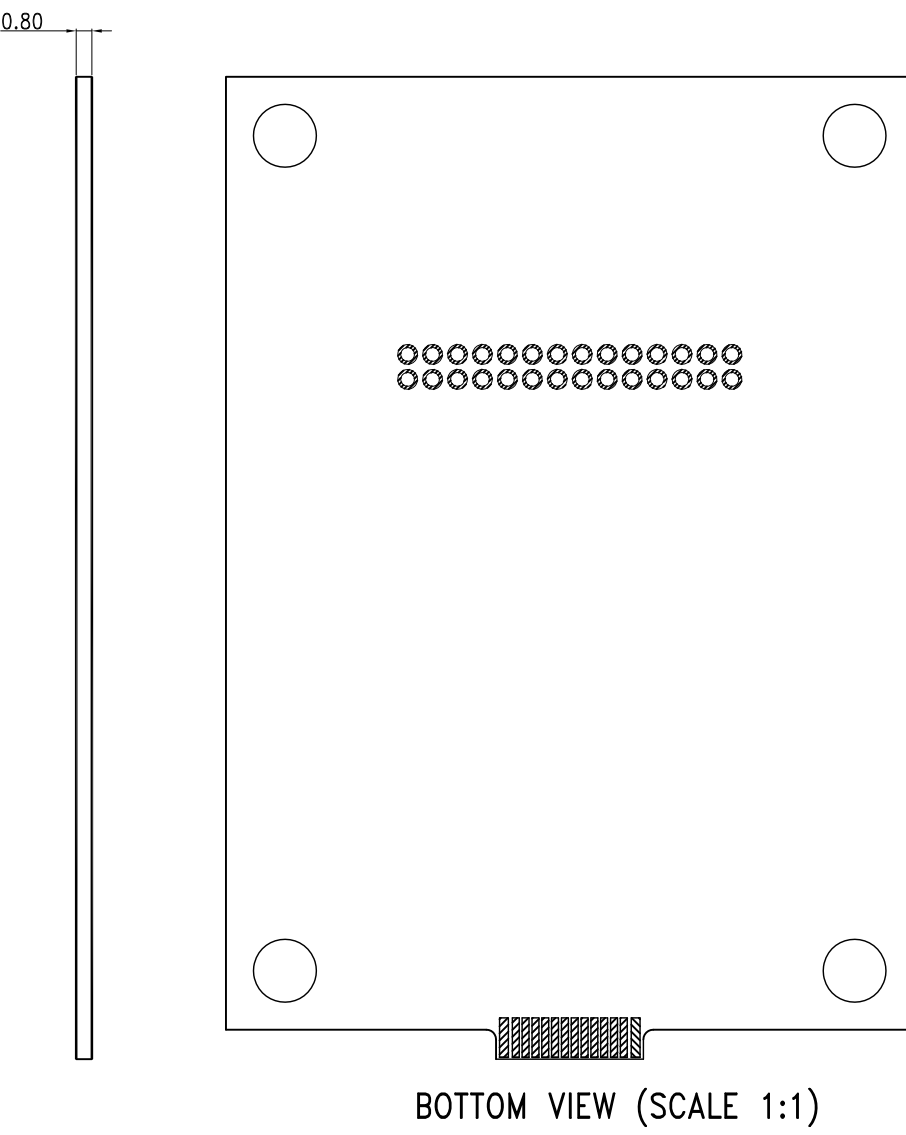
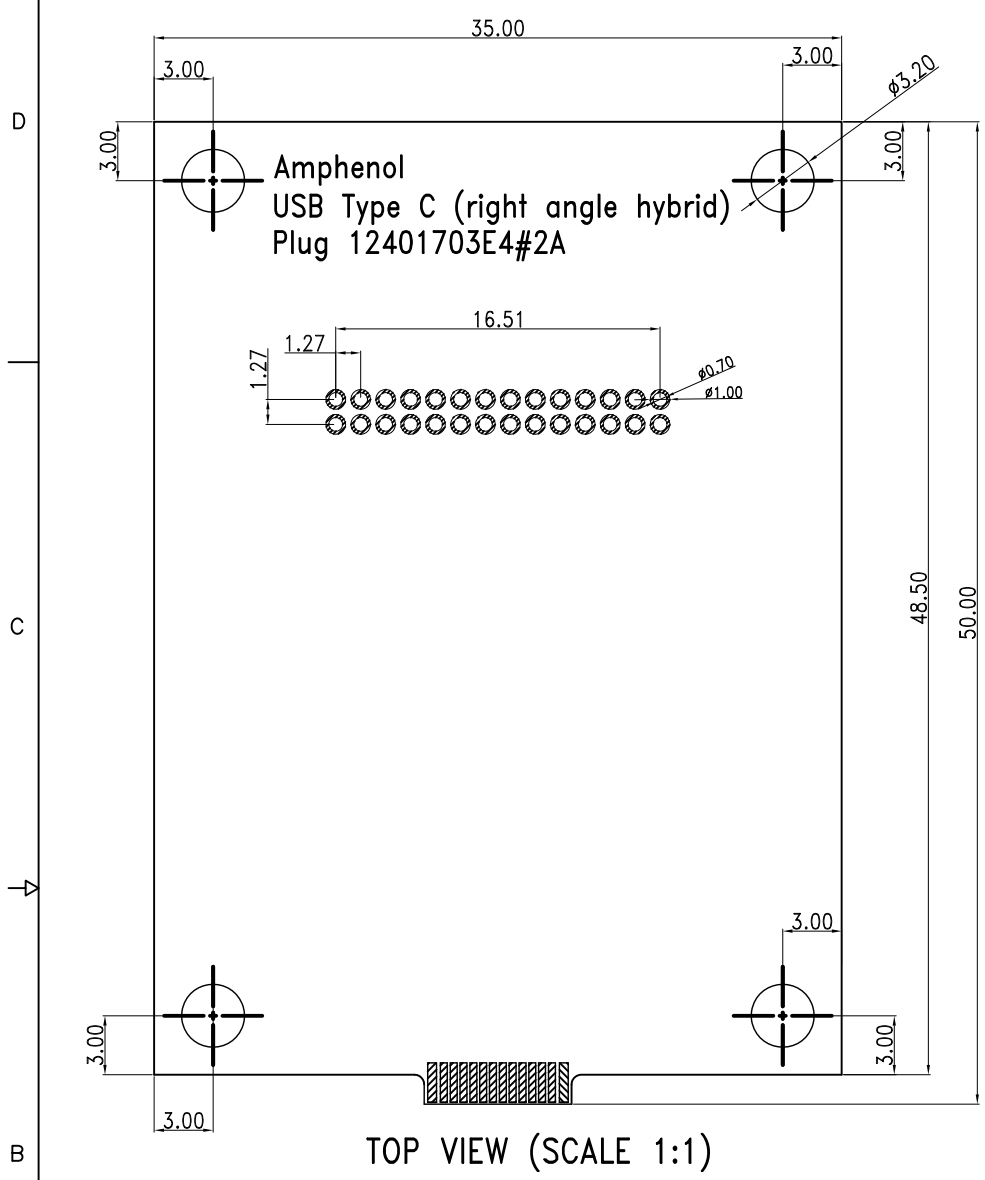
APPROVAL		DATE
DRAWN	Michael.qin	05/09/16
CHECKED	Welson.Lu	05/09/16
DRAWING FILE :		
ANGLE OF PROJECTION		

Amphenol		
TITLE USB TYPE C CONNECTOR (RECEPTACLE&PLUG WITH PCB)		
SIZE	DRAWING NO.	REV.
A3	12401703E4#2A	X1
SCALE	NONE	SHEET 1 OF 2

This document is the property of Amphenol Corporation and is delivered on the express condition that it is not to be disclosed, reproduced or used, in whole or in part, for manufacture or sale by anyone other than Amphenol Corporation without its prior consent, & that no right is granted to disclose or to use any information in this document.

REFERENCE DRAWING

REVISIONS				
SYM	ECN	DESCRIPTION	DATE	APPROVED
SEE PAGE 1				



- NOTES:
1. Material: FR4 (UL94V-0), 1盎司铜箔厚度, 双面板.
 2. Finial: 表面塗綠色絕緣漆, 印字.
 3. PAD表面: 化金2u" Min.
 4. 连线宽度0.30mm.
 5. 單線導通阻抗不得大於30m Ohm
 6. 兩相鄰孔之間耐電壓DC500V/5s
 7. 陰影線部分為焊盤.
 8. General tolerance are ± 0.05 mm
 9. Material should be fulfilled Amphenol spec# SSN002 and customer requirements, for halogen free products, also need to meet SSN004.



ITEM	PART LIST	QUANTITY	REMARK
3	PITCH:1.27*1.27	1	2*14PIN
2	PLUG PCB	1	
1	12401562E4#2A	1	

UNLESS OTHERWISE SPECIFIED TOLERANCES	
U.S.	METRIC
.X +/-	± 0.30
.XX +/-	± 0.25
.XXX +/-	± 0.20
FRACTIONS +/-	
ANGLES +/-	

APPROVAL		DATE
DRAWN	Michael.qin	05/09/16
CHECKED	Welson.Lu	05/09/16
DRAWING FILE :		
ANGLE OF PROJECTION		

Amphenol		
TITLE USB TYPE C CONNECTOR (RECEPTACLE&PLUG WITH PCB)		
SIZE	DRAWING NO.	REV.
A3	12401703E4#2A	X1
SCALE	NONE	SHEET 2 OF 2